

EUROFLOTM
where innovation flows



**EB, EB2,
EB400 series**
*Single/Twin Impellers
Centrifugal Pump*



EB series

EB/EB2 series is a single/twin impellers close-coupled stainless steel centrifugal pumps. They are ideal where space is a premium and a need for ease of alignments between pump and motor. Main dimensions and performance according to ISO2548C standard. It is available in two versions, SUS 304 and SUS 316L and are suitable for transferring moderately aggressive fluid.

Applications

- Water supply systems
- Pressure boiler feeding
- Pure water treating systems
- Pharmaceutical & food stuff
- Refining chemical industries
- Washing and sprinkling

Technical Data

Pump

- Suction size: G1 1/4", G1 1/2"
- Discharge size: G1"
- Max. working pressure: 8 bar
- Liquid temperature: -15°C~+80°C
- To avoid overload and danger the pump should be operated within the performance ranges

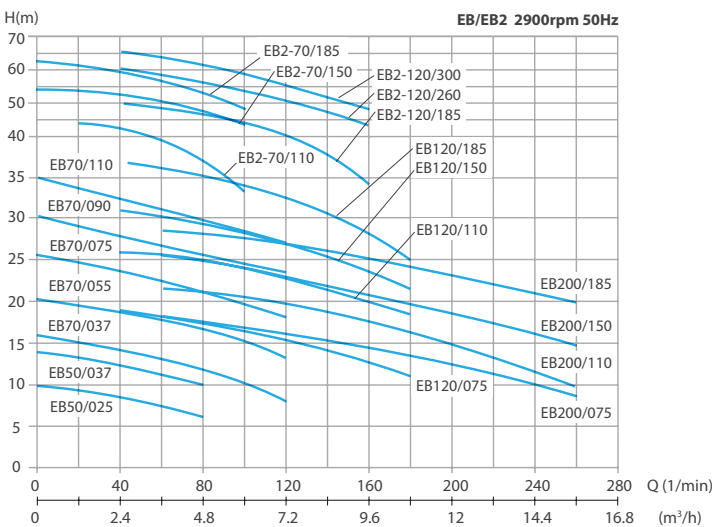
Materials

- Casing, back-cover, impeller and pump shaft: SUS304 or SUS 316L stainless steel
- Bracket and motor cast: Aluminmun-alloy
- Standard mechanical seal: NBR/ceramic/carbon (Special mechanical seal materials are available upon request)

Motor

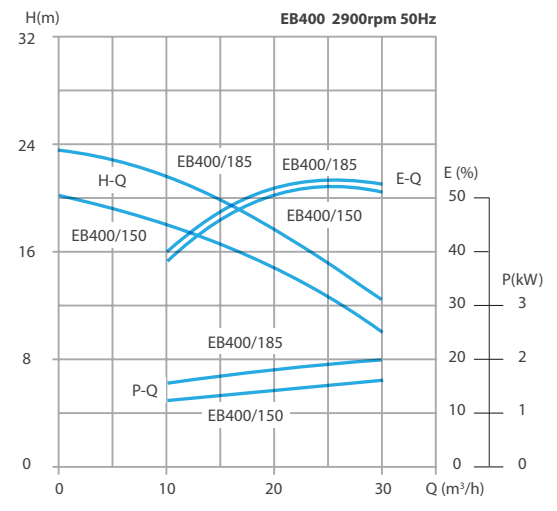
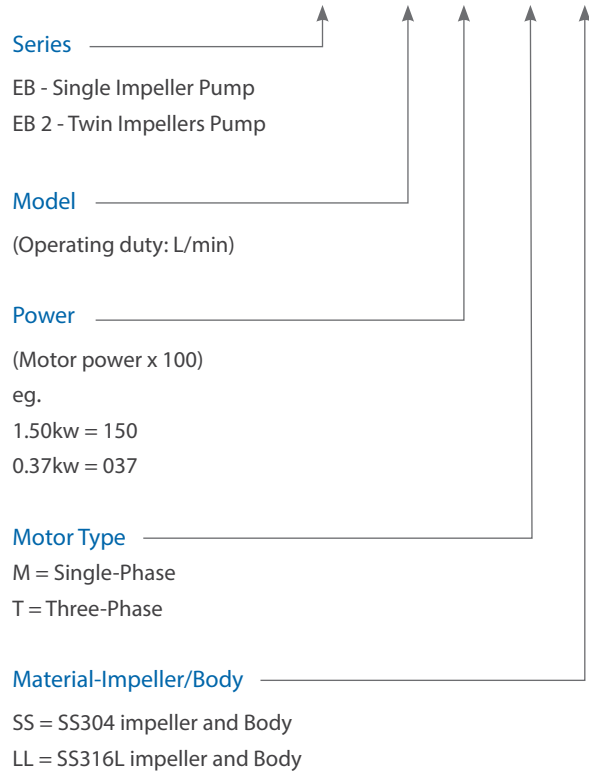
- T.E.F.C. continuous duty Insulation class: F or B
- Protection class: IP55
- Ambient temperature range: -15°C~+40°C
- Altitude ≤ 1000m
- Single phase version:
 - 220V, 50Hz, 2900rpm
 - With overload protector in single phase motor
- Three phase version:
 - 380V, 50Hz, 2900rpm
 - Overload protector in three phase is available upon request

Performance Curves



Coding System

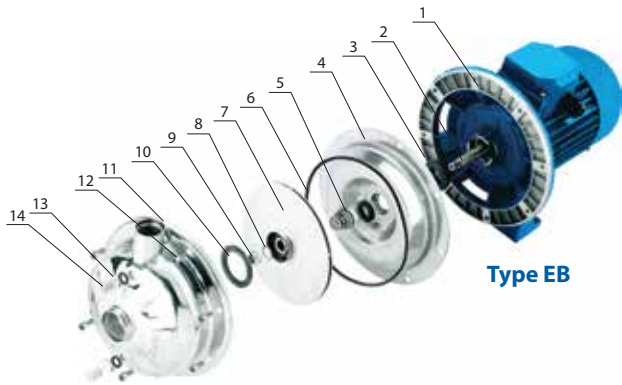
Eg.	EB	70/150	M	SS
	EB	2-70/150	M	SS
	XX	XXX XXX	X	XX



Performance Data

Water test temperature: 20°C, Performance limits: ISO2548C specifications for standard class C pumps.

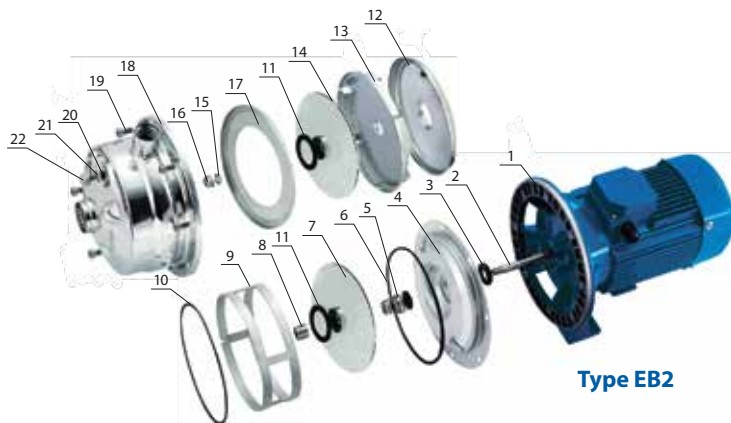
Model		Power		Suction Head m	Capacity																				
Single phase 220V 50HZ	Three Phase 380V 50HZ	kW	HP		1/min m³/h	20	40	60	80	100	120	133	140	160	180	200	220	240	260	276	333	400	467	533	
					Head (m)																				
EB Series																									
EB50/025M	EBS0/025T	0.25	0.33	8	10.5	9.7	8.3	7																	
EB50/037M	EB50/037T	0.37	0.5	8	14.5	13.5	11.8	10.5																	
EB70/037M	EB70/037T	0.37	0.5	8	16	15	13.5	13	11.5	10															
EB70/055M	EB70/055T	0.55	0.75	8	21	20	18.5	17	15	13															
EB70/075M	EB70/075T	0.75	1.0	8	26	25	23.5	22	19.5	18															
EB70/090M	EB70/090T	0.90	1.2	8	31	29.5	28	26.5	25	23															
EB70/110M	EB70/110T	1.1	1.5	8	35	33.5	32	30.5	29	27															
EB120/075M	EB120/075T	0.75	1.0	8		20	19	18	17	16		14.5	13	11											
EB120/110M	EB120/110T	1.1	1.5	8		27.7	26.9	26	24.5	23		21.5	20	17.5											
EB120/150M	EB120/150T	1.5	2.0	8		33	31.5	30	28.5	27		25	23	20											
EB120/185M	EB120/185T	1.85	2.5	8		39	37	36	34.8	33		31.5	29.5	27											
EB200/075M	EB200/075T	0.15	1	8			18	17	16.5	16		15.5	14.5	13.5	12.5	11	10	8							
EB200/110M	EB200/110T	1.1	1.5	8			22	21.5	21	20.5		19.5	18.5	17.5	16.5	15.5	14	13							
EB200/150M	EB200/150T	1.5	2.0	8			26	25.3	24.5	23.8		23	21.7	20.5	19.3	18	16.5	15							
EB200/185M	EB200/185T	1.85	2.5	8			29	28.5	27.5	26.6		26	24.8	23.6	22.6	21.5	20	19							
EB2 Series																									
EB2-70/110M	EB2-70/110T	1.1	1.5	8	44	42	40	37	33																
EB2-70/150M	EB2-70/150T	1.5	2.0	8	54	52	50	47	43																
EB2-70/185M	EB2-70/185T	1.85	2.5	8	61	58	56	52	48																
EB2-120/185M	EB2-120/185T	1.85	2.5	8	-	50	48	46	43.5	41		38	34												
	EB2-120/260T	2.6	3.5	8	-	60	58	56	53	50		47	43												
	EB2-120/300T	3.0	4.0	8	-	65	63	61	58	55		52	48												
EB400 Series																									
EB400/150M	EB400/150T	1.5	2.0								18				16.5				15	13.5	12	10	7		
EB400/185M	EB400/185T	1.85	2.5								22				21				19.5	18	16.5	14.5	11.5		



Type EB

Parts List

No.	Description	No.	Description	No.	Description
1	Motor	6	O ring	11	Casing
2	Key	7	Impeller	12	Bolt
3	"V" Slinger	8	Spring washer	13	O ring
4	Back Cover	9	Impeller Nut	14	"L" Washer
5	Mechanical seal	10	Wear ring	15	Priming / Drain bolt



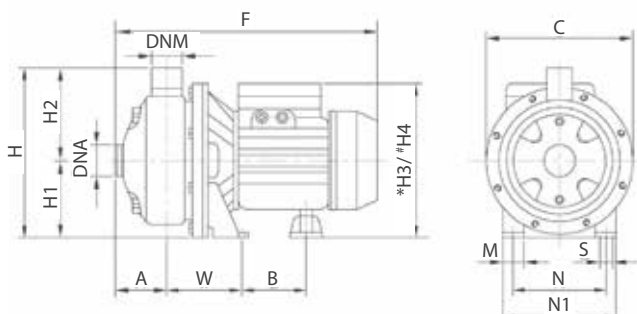
Type EB2

Parts List

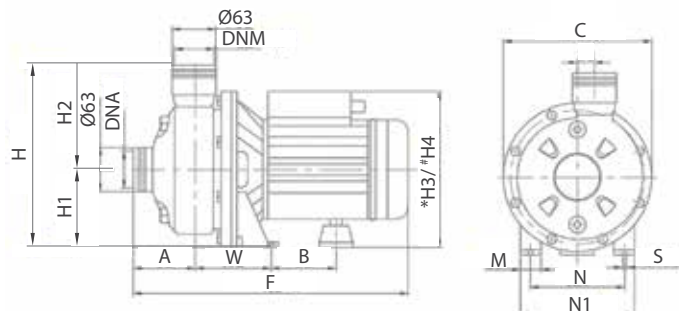
No.	Description	No.	Description	No.	Description
1	Motor	9	Position plate	17	Guide plate front cover
2	Key	10	O ring	18	Casing
3	"V" Slinger	11	Wear ring	19	Bolt
4	Back Cover	12	Guide plate back cover	20	O ring
5	Mechanical seal	13	Guide plate	21	"L" Washer
6	O ring	14	Impeller I	22	Priming/Drain bolt
7	Impeller II	15	Spring washer		
8	Shaft sleeve	16	Impeller nut		

Outline Dimensions

EB/EB2



EB400



Outline Diagram

Model		Dimensions(mm)																Weight (kg)
Single phase	Three phase	A	C	F	H	H1	H2	*H3	*H4	M	N	N1	S	W	B	DNA	DNM	
EB Series																		
EB50/025M	EB50/025T	52	170	302	196	88	108	208	181	30	100	130	9	80	82	G1 " 1/4	G1"	5.7
EB50/037M	EB50/037T	52	170	302	196	88	108	208	181	30	100	130	9	80	82	G1 " 1/4	G1"	6.2
EB70/037M	EB70/037T	52	213	315	232	108	124	241	213	39	120	158	9	92	82	G1 " 1/4	G1"	8.2
EB70/055M	EB70/055T	52	213	315	232	108	124	241	213	39	120	158	9	92	82	G1 " 1/4	G1"	9.2
EB70/075M	EB70/075T	52	213	315	232	108	124	241	213	39	120	158	9	92	82	G1 " 1/4	G1"	10.6
EB70/090M	EB70/090T	52	213	315	232	108	124	241	213	39	120	158	9	92	82	G1 " 1/4	G1"	11
EB70/110M	EB70/110T	52	235	386	252	120	132	234	234	39	140	180	9	94	82	G1 " 1/4	G1"	13.8
EB120/075M	EB120/075T	52	213	315	232	108	124	241	213	39	120	158	9	92	82	G1 " 1/4	G1"	10.5
EB120/110M	EB120/110T	52	213	370	232	108	124	224	224	39	120	158	9	92	82	G1 " 1/4	G1"	13.2
EB120/150M	EB120/150T	52	235	386	252	120	132	234	234	39	140	180	9	94	82	G1 " 1/4	G1"	16
EB120/185M	EB120/185T	52	235	386	252	120	132	234	234	39	140	180	9	94	82	G1 " 1/4	G1"	18
EB200/075M	EB200/075T	52	213	370	232	108	124	241	213	39	120	158	9	92	82	G1 "112	G1"	10.5
EB200/110M	EB200/110T	52	213	370	232	108	124	224	224	39	120	158	9	92	82	G1 " 1/2	G1"	13.1
EB200/150M	EB200/150T	52	213	370	232	108	124	224	224	39	120	158	9	92	82	G1 " 1/2	G1"	15.4
EB200/185M	EB200/185T	52	213	370	232	108	124	224	224	39	120	158	9	92	82	G1 " 1/2	G1"	17
EB2 Series																		
EB2-70/110M	EB2-70/110T	87	235	416	252	120	132	234	234	39	140	180	9	94	82	G1 " 1/4	G1"	15.8
EB2-70/150M	EB2-70/150T	87	235	416	252	120	132	234	234	39	140	180	9	94	82	G1 " 1/4	G1"	18
EB2-70/185M	EB2-70/185T	87	235	416	252	120	132	234	234	39	140	180	9	94	82	G1 " 1/4	G1"	20
EB2-120/185M	EB2-120/185T	87	235	416	252	120	132	234	234	39	140	180	9	94	82	G1 " 1/4	G1"	20
	EB2-120/260T	87	235	428	252	120	132		242	40	140	180	9	92	82	G1 " 1/4	G1"	23.6
	EB2-120/300T	87	235	428	252	120	132		242	40	140	180	9	92	82	G1 " 1/4	G1"	25.4
EB400 Series																		
EB400/150M	EB400/150T	82	213	410	258	108	150	213	213	39	120	158	2-Ø9	102	82	G2"	G2"	16
EB400/185M	EB400/185T	82	213	410	258	108	150	213	213	39	120	158	2-Ø9	102	82	G2"	G2"	16

*H3 for Single phase

*H4 for Three phase

Your local distributor details: