



EUROFLOTM
where innovation flows



Fire Pump PSB
Listed according to
CP52(Singapore)

Australian Standard:
AS 2941:2008
Fixed Fire Protection
Installation and
Pumpset System

EUF/EUFS *series*



www.euroflopumps.com

Coding System

E.g.

EUFS100/315 PBD DB

XXXX XXX/XXX X XX XXXX

Series _____

EUF = Bareshaft Firepumps
EUFS = High Pressure Series

Discharge Size _____

Impeller Nominal Size _____

Seal Type _____

P = Gland Packing

Impeller / Body Casing Material _____

BC = Bronze impeller and Cast Iron Body
WW = Cast steel impeller and cast steel Body
BD = Bronze Impeller and Ductile Iron Body
SC = SS304 impeller and Cast Iron Body
SD = SS304 impeller and Ductile Iron Body

Special Code _____

DB = Double Bearing
OL = Oil Lubricator
K6 = SS316 Shaft
S4 = SS304 Shaft
S1 = SS431 Shaft

Introduction

Description:

Volute casing centrifugal end suction pump with Back Pull-Out (BPO) feature, main dimensions and performance according to EN733/DIN24255/6 standards (EUF), ISO 2858/5199 (EUFS).

Flange	: Std PN 16, PN 25, 40 Bar (optional)
Materials	: Cast Iron, Ductile Iron, Cast Steel
Mounting	: Direct Coupled with Electric Motor or Engine
Direction of Rotation	: Clockwise as viewed from the drive side
Material	:
Casing	: Ductile Iron, Cast Steel, Cast Iron
Impeller	: Bronze
Shaft	: SS420 optional AISI304 & AISI316
Shaft Seal	: Gland Packing

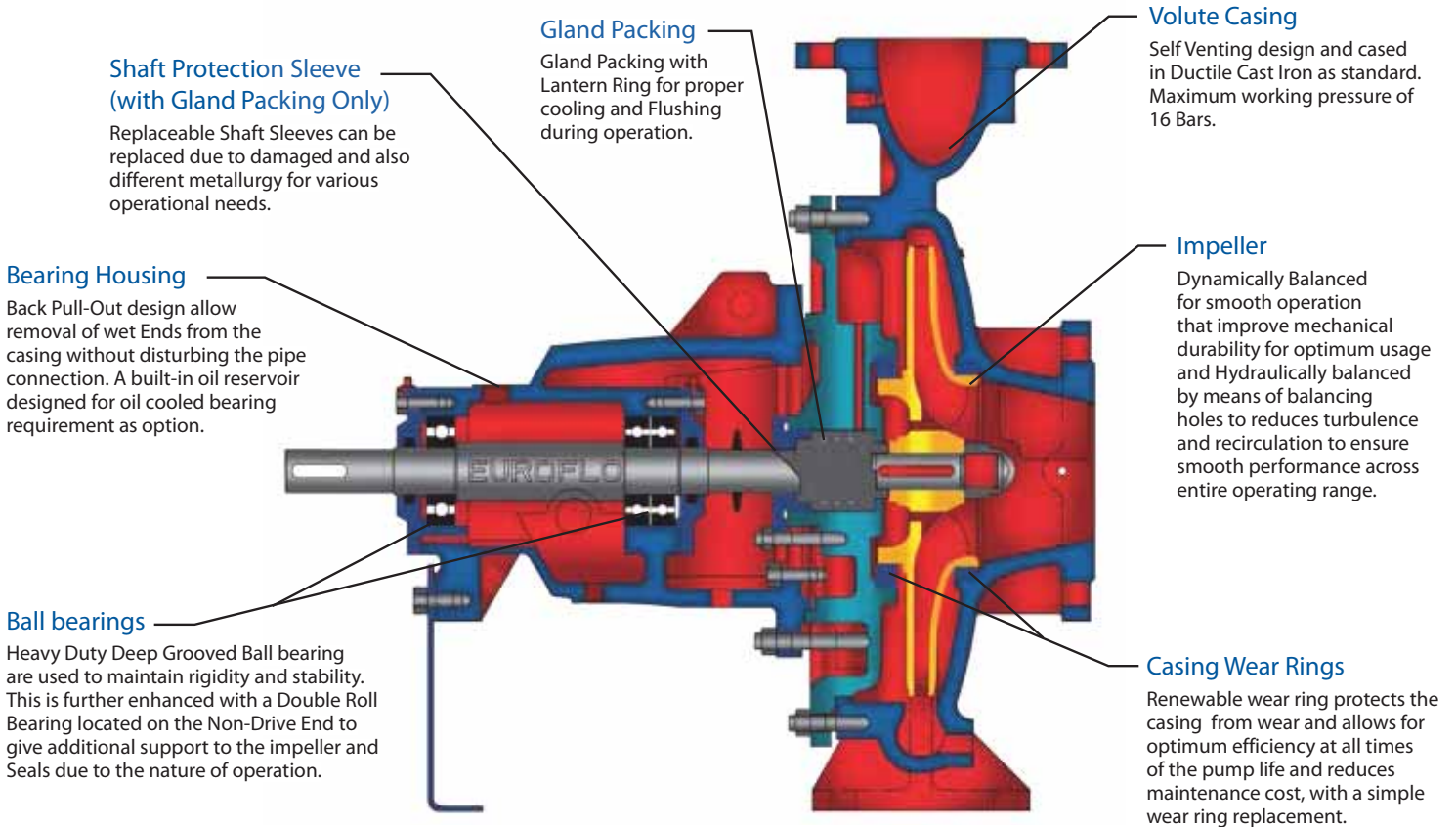
Operating Range:

Flow Rate(Q)	: up to 1100m ³ /h
Head(H)	: up to 290m
Speed	: 2900 rpm (50Hz)
Operating Temp.	: -10 °C to 105 °C standard;
Operating Pressure	: 16 Bar (EUF) and 40 Bar (EUFS)

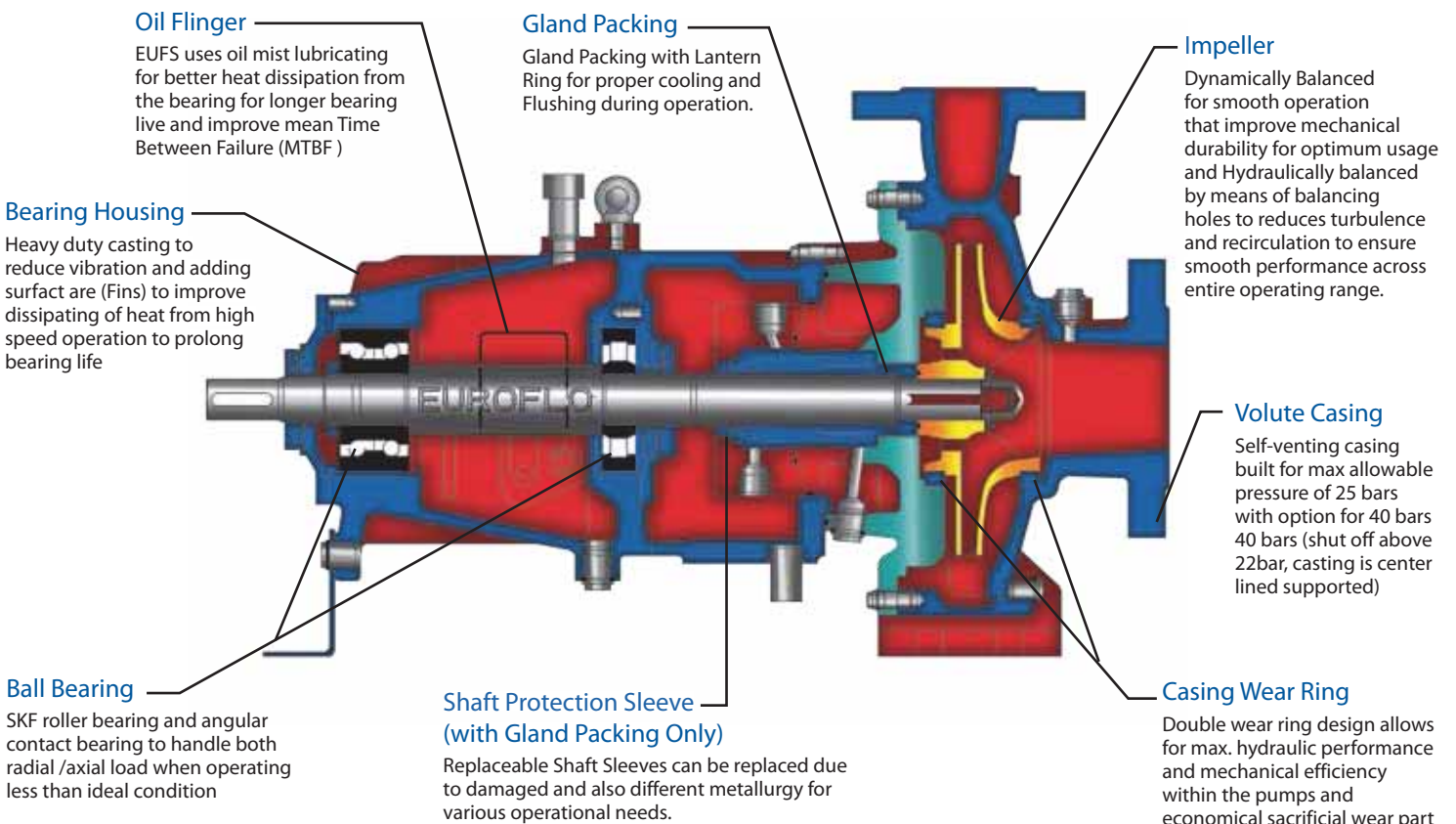
Application:

Fire protection and fire fighting

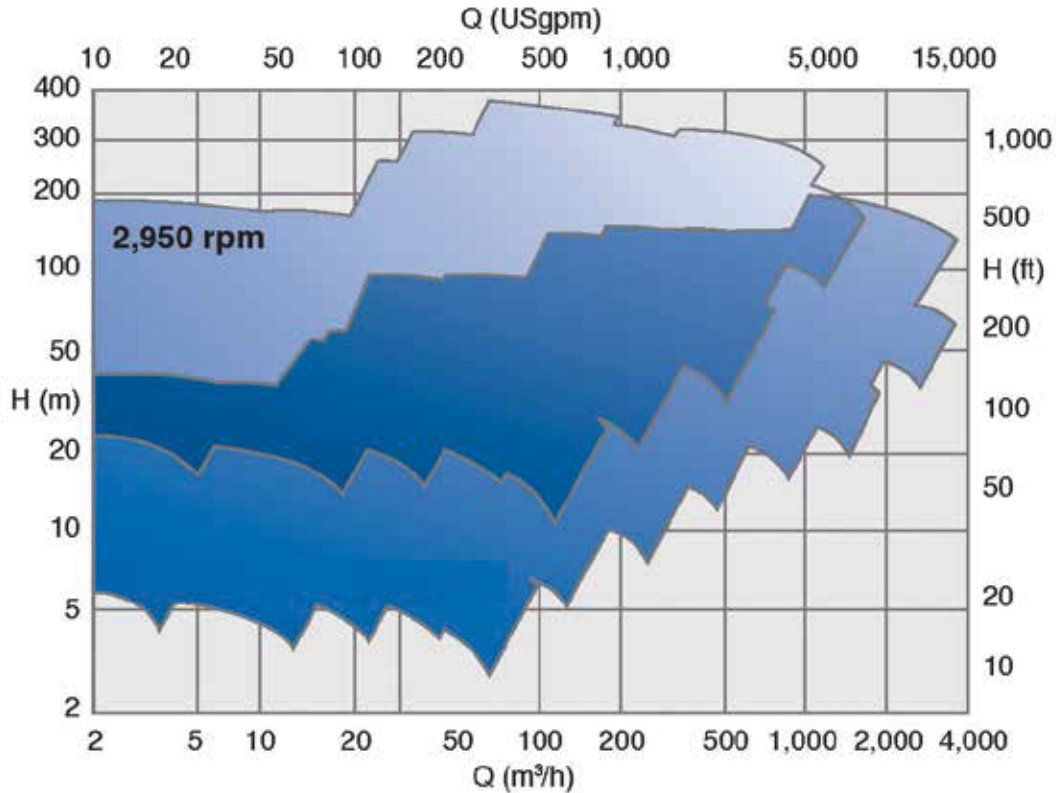
EUF Sectional Drawing



EUFS Sectional Drawing

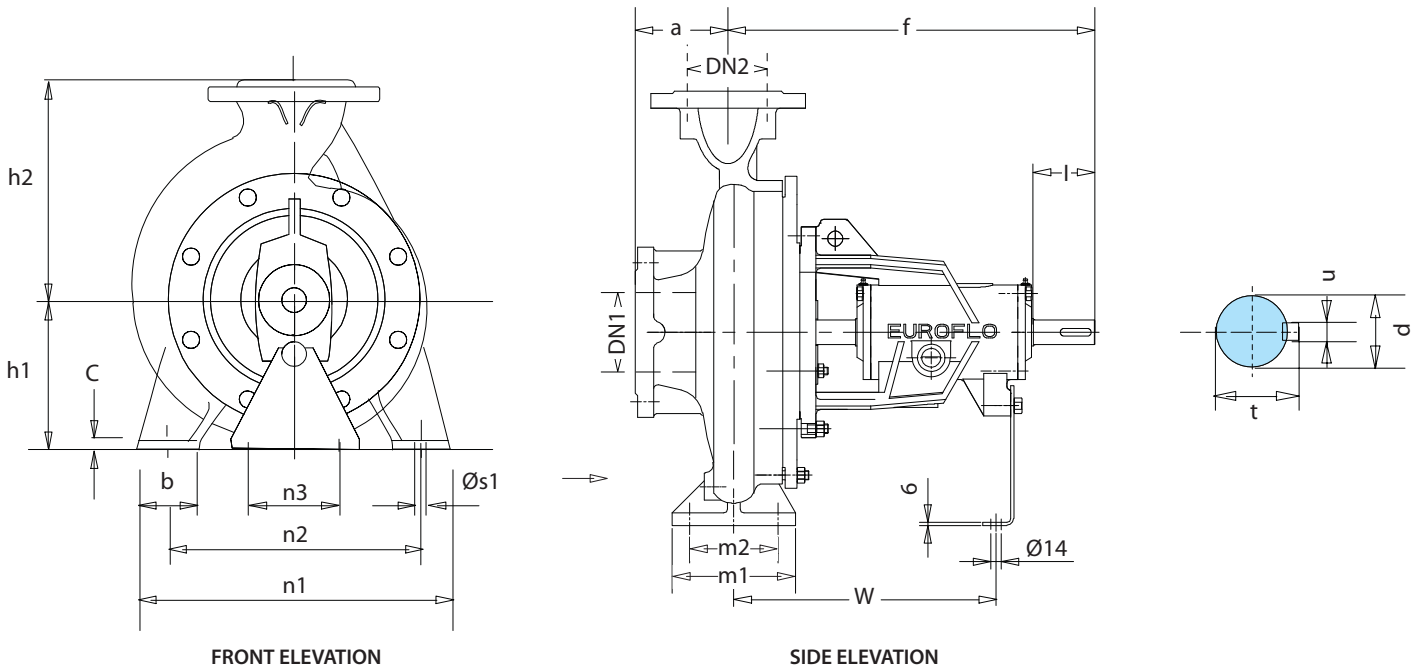


EU/EFUS Performance - 50Hz



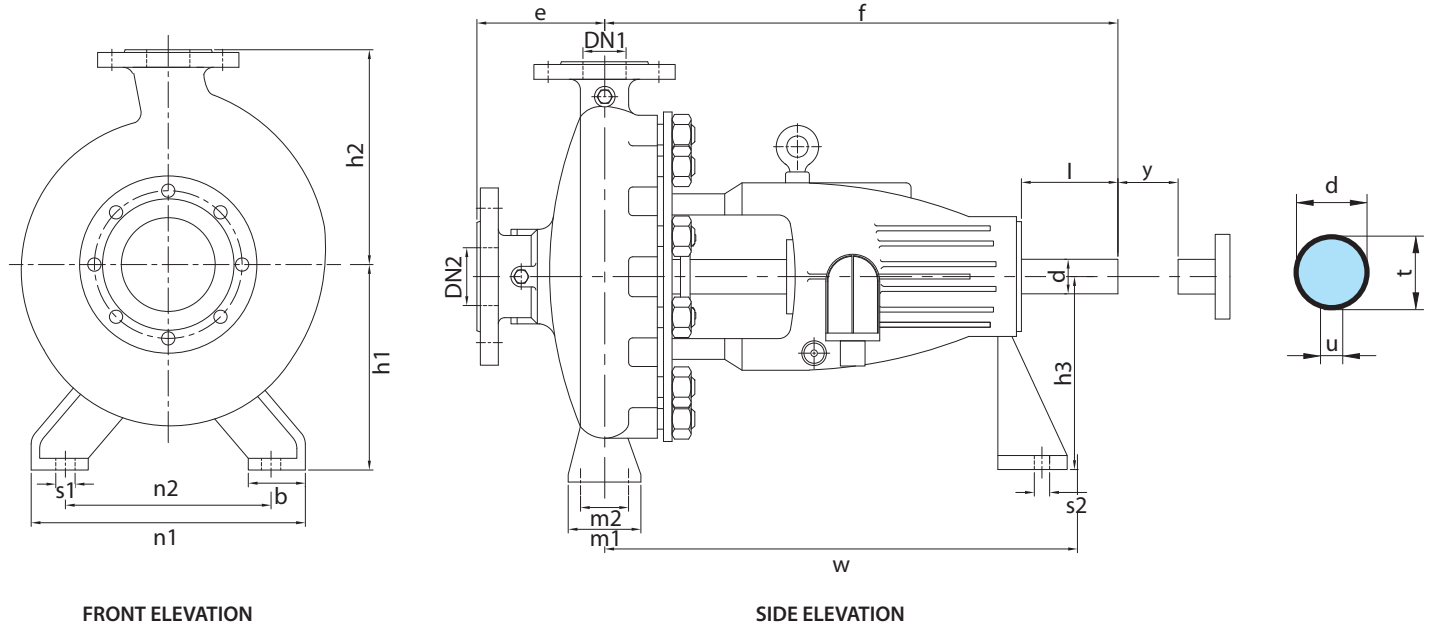
S/N	Pump model	Impeller Diameter (mm)	Duty Point				Driver Power (kw)
			Q (m3/h)	Head (m)	Power (kw)	Efficiency (%)	
1	EUFS0-13	139	55	23.1	5.4	64.2	7.5
2	EUFS0-16	174	60	35.9	8.6	68.1	11.0
3	EUFS0-20	214	55	58.3	14.1	61.9	18.5
4	EUFS0-26	264	80	86.8	30.2	62.4	37.0
5	EUFS0-32	329	80	137.0	54.0	55.8	75.0
6	EUFS5-16	174	90	36.3	12.0	74.0	15.0
7	EUFS5-20	214	110	55.4	23.3	71.1	30.0
8	EUFS5-26	264	110	93.5	42.9	65.3	55.0
9	EUFS5-32	329	110	141.0	68.9	61.5	90.0
10	EUFS8-16	174	150	34.5	18.5	76.3	22.0
11	EUFS8-20	214	160	58.4	31.4	81.2	45.0
12	EUFS8-26	264	180	86.6	59.1	72.0	75.0
13	EUFS10-20	214	240	54.2	48.1	73.6	55.0
14	EUFS10-26	264	297	84.6	93.2	73.3	110.0
15	EUFS 80-315	324	128.4	128	65	70	75.0
16	EUFS 80-400	400	157.2	170	120	61.7	132.0
17	EUFS 80-450	450	192.0	234	207	59	250.0
18	EUFS 100-315	324	238.8	130	114	74.5	132.0
19	EUFS 100-400	400	270.0	198	198	75.4	220.0
20	EUFS 150-315	324	429.6	129	186	80.5	220.0
21	EUFS 150-400	400	507.0	198	356	77.3	400.0
22	EUFS 200-315	324	672.0	124	268	85.2	315.0

EUF Installing Dimensions



Pump Model	Bearing Housing	Discharge DN2	Suction DN1	Pump Dimension (mm)							Foot Dimension (mm)							Shaft End				Net Weight												
				a	f	h1	h2	b	c	n3	m1	m2	n1	n2	s	w	d	l	t	u														
EU50/13	25	50	65	100	360	132	160	50	14	100	100	70	240	190	14	267	24	50	27	8	35													
EU50/16						160	180						265	212							45													
EU50/20						160	200						342	32							80	35	10	102										
EU50/26						180	225						320	250							267	24	50	27	8	71								
EU50/32	35	65	80	125	470	225	280	65	15	110	125	95	345	280	18	342	32	80	35	10	102													
EU65/16	25			360	160	200	280	212	45																									
EU65/20	180			225	320	250	267	24	50				27	8							71													
EU65/26	35			470	200	250	80	15	110				160	120							360	280	18	342	32	80	35	10	84					
EU65/32	35	80	100	125	470	225	280	80	18	110	125	95	400	315	14	267	24	50	27	8	111													
EU80/16	25					360	180	225	65				14	110							160	120	360	280	18	342	32	80	35	10	86			
EU80/20	35					80	100	125	470				180	250							65	15	110	125	95	345	280	14	267	24	50	27	8	73
EU80/26													200	280							80	16				110	160							120
EU100/20	35	100	125	140	470	200	280	80	16	110	160	120	360	280	18	342	32	80	35	10	86													
EU100/26													225	315							18	342	32	80	35	10	116							

EUFS Installing Dimensions



Pump Model	Bearing Housing	Discharge DN1	Suction DN2	Pump Dimensions (mm)					Foot Dimension (mm)							Shaft End				Net Weight		
				e	f	h2	h3	h1	m1	m2	n1	n2	b	s1	s2	w	y	d	l		t	u
EUFS80-315	2	80	100	185	560	300	160	225	160	120	400	315	80	18	14	490	180	32	55	35	10	165
EUFS80-400	3			180	625	350	200	280			435	355						42		80	45	12
+EUFS80-450	4			200	675	400	330	200	150	550	450	100	23	18	575	48		51.5	14	267		
EUFS100-315	*2	100	150	195	560	320	160	250	160	120	400	315	80	18	14	490	180	32	55	35	10	183
EUFS100-315	3			210	625	380	280	500			400	42						45		12	203	
EUFS100-400	*3			210	625	380	280	500	400	48	51.5	14	275									
EUFS100-400	4	205	370	200	315	200	150	550	450	100	23	18	530	42	80	45	12	226				
EUFS150-315	3	150	200	205	625	410	200	315	200	150	550	450	100	23	18	530	250	42	80	45	12	295
+EUFS150-400	*3			230	675	410	315	200			150	550						450		48	51.5	14
+EUFS150-400	4			230	675	410	315	200	150	550	450	48	51.5	14	326							
EUFS200-315	*3	200	200	245	625	420	300	500	400	500	400	530	42	45	12	271						
EUFS200-315	4			245	675	420	300	500	400	575	48	51.5	14	297								

* For low speed 1450rpm

+ Suggest use centerline type for pressure above 22bar at shut off head