



Sewage Pumps (50Hz)

Z series



General

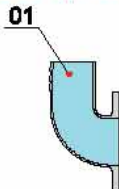
2.2~7.5kW 2P
50Hz : 2850rpm

Specification

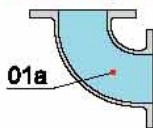
- Insulation class : B
- Protection class : IP68
- Water temperature : up to 40°C
- PH : 6 to 10
- Density of liquid : 1.3g/cm³
- Power supply : three phase 380V ±10%, 50Hz
- Capacity : up to 138 m³/h
- Head : up to 37m
- Maximum immersion depth : 10m
- Cable Length : 8m



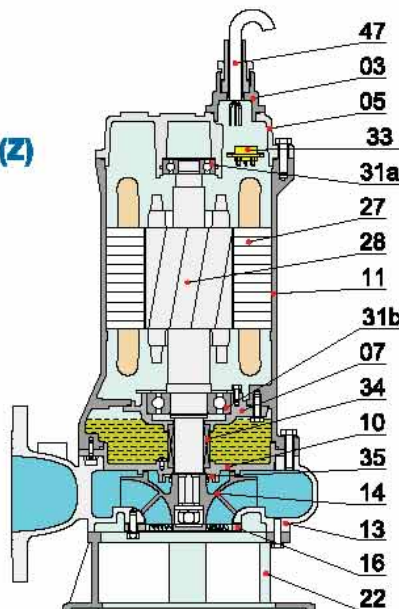
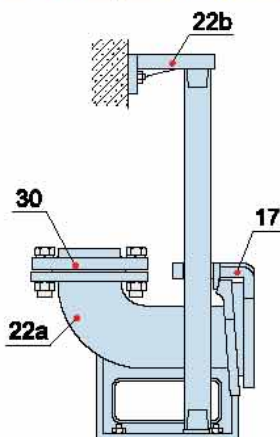
Movable Soft Pipe Installation (R)



Movable Hard Pipe Installation(Y)



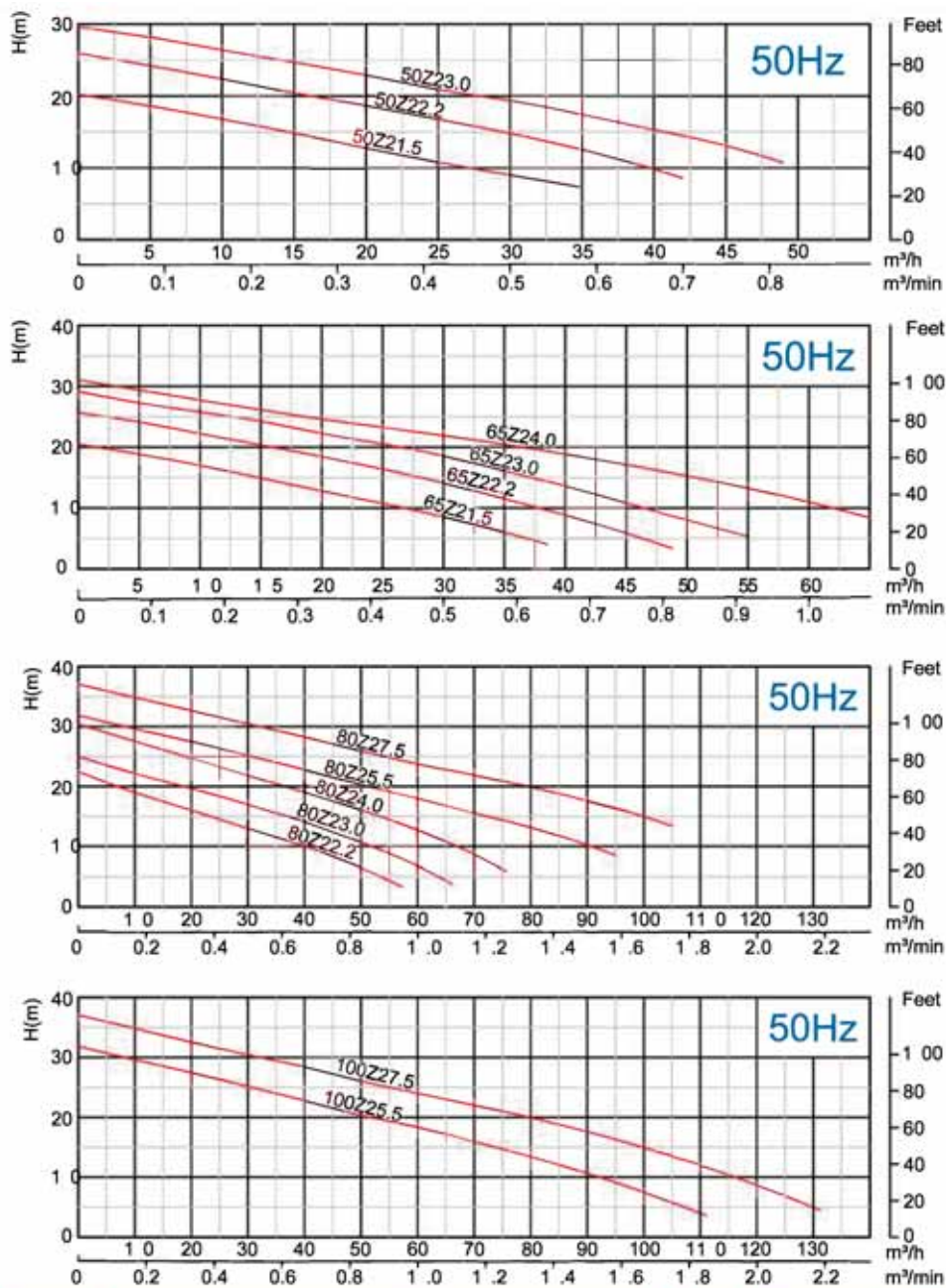
Auto-coupled Installation (Z)



Materials of construction

Item No.	Part name	Material
01	Hose coupling	Cast iron
01a	Hose coupling	Cast iron
03	Terminal box	Cast iron
05	Upper cover	Cast iron
07	Bearing house	Cast iron
10	Seal bracket	Cast iron
11	Motor body	Cast iron
13	Pump body	Cast iron
14	Impeller	High chrome alloy
16	Inlet plate	High chrome alloy
17	Coupling adapter	Cast iron
22	Seat assembly	Cast iron
22a	Coupling seat	Cast iron
22b	Upper guide support	Cast iron
27	Stator	
28	Rotor	Shaft : AISI304SS
30	Flange	Cast iron
31a	Bearing	Ball bearing
31b	Bearing	Ball bearing
33	Motor protector	
34	Mechanical seal	Sic-Sic/Carbon-Ceramic
35	Oil seal	
47	Cable	

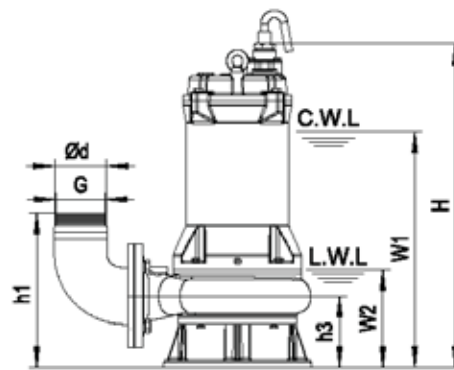
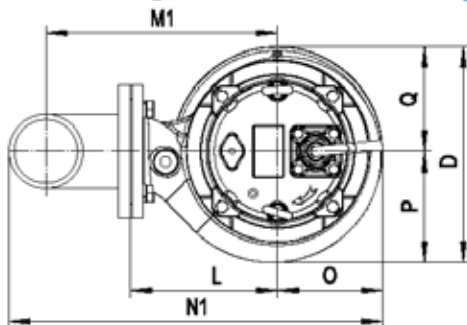
Performance Curve



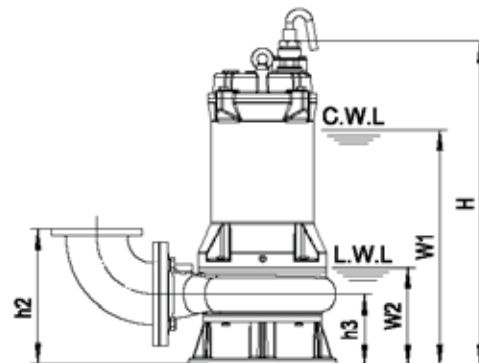
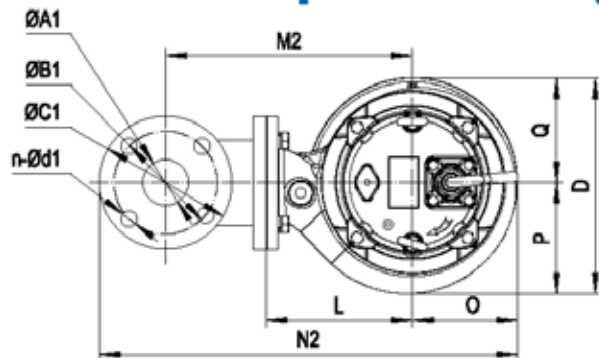
Model 50Hz	Voltage	Current	Motor power		Outlet		Rated capacity	Rated head	Max capacity	Max Head
	V	A	kW	HP	in	mm	m³/h	m	m³/h	m
50Z21.5	380	3.2	1.5	2	2	50	15	15	35	20
65Z21.5	380	3.2	1.5	2	2.5	65	25	10	38	20
50Z22.2	380	5	2.2	3	2	50	15	20	42	26
65Z22.2	380	5	2.2	3	2.5	65	25	17	48	26
80Z22.2	380	5	2.2	3	3	80	40	10	57	20
50Z23.0	380	6.5	3	4	2	50	15	25	48	29
65Z23.0	380	6.5	3	4	2.5	65	25	21	55	29
80Z23.0	380	6.5	3	4	3	80	40	14	66	25
65Z24.0	380	8.9	4	5.5	2.5	65	30	22	67	31
80Z24.0	380	8.9	4	5.5	3	80	40	19	76	31
80Z25.5	380	11.7	5.5	7.5	3	80	40	23	95	32
100Z25.5	380	11.7	5.5	7.5	4	100	65	17	112	32
80Z27.5	380	15.7	7.5	11	3	80	40	28	105	37
100Z27.5	380	15.7	7.5	11	4	100	65	23	138	37

Dimension

Movable Soft Pipe Installation (R)



Movable Hard Pipe Installation (Y)



C.W.L : Continuous running water level
L.W.L : Lowest running water level

Dimensions table

Model	Ød	G	ØA1	ØB1	ØC1	n-Ød1	h1	h2	h3	W1	W2	H	O	P	Q	L	D	M1	M2	N1	N2
50Z21.5	50	G1½"	50	110	140	4-Ø14	225	220	120	380	152	551	111	116	111	160	227	226	257	363	438
65Z21.5	65	G2"	65	130	165	4-Ø14	240	242	120	380	152	551	111	116	111	160	227	232	272	375	463
50Z22.2	50	G1½"	50	110	140	4-Ø14	225	220	120	400	152	571	111	116	111	160	227	226	257	363	438
65Z22.2	65	G2"	65	130	165	4-Ø14	240	242	120	400	152	571	111	116	111	160	227	232	272	375	463
80Z22.2	80	G2½"	80	150	190	4-Ø18	271	266	126	410	162	581	114	122	111	160	233	252	302	403	511
50Z23.0	50	G1½"	50	110	140	4-Ø14	225	220	120	415	152	599	111	116	111	160	227	226	257	363	438
65Z23.0	65	G2"	65	130	165	4-Ø14	240	242	120	415	152	599	111	116	111	160	227	232	272	375	463
80Z23.0	80	G2½"	80	150	190	4-Ø18	271	266	126	425	162	609	114	122	111	160	233	252	302	403	511
65Z24.0	65	G2"	65	130	165	4-Ø14	252	254	132	447	169	643	122	131	122	180	253	252	292	407	494
80Z24.0	80	G2½"	80	150	190	4-Ø18	277	272	132	447	169	643	122	131	122	180	253	272	322	431	539
80Z25.5	80	G2½"	80	150	190	4-Ø18	290	285	145	456	190	658	150	159	150	210	309	302	352	489	597
100Z25.5	100	-	100	170	210	4-Ø18	315	295	145	456	190	658	150	159	150	210	309	312	362	511	617
80Z27.5	80	G2½"	80	150	190	4-Ø18	290	285	145	481	190	658	150	159	150	210	309	302	352	489	597
100Z27.5	100	-	100	170	210	4-Ø18	315	295	145	481	190	658	150	159	150	210	309	312	362	511	617

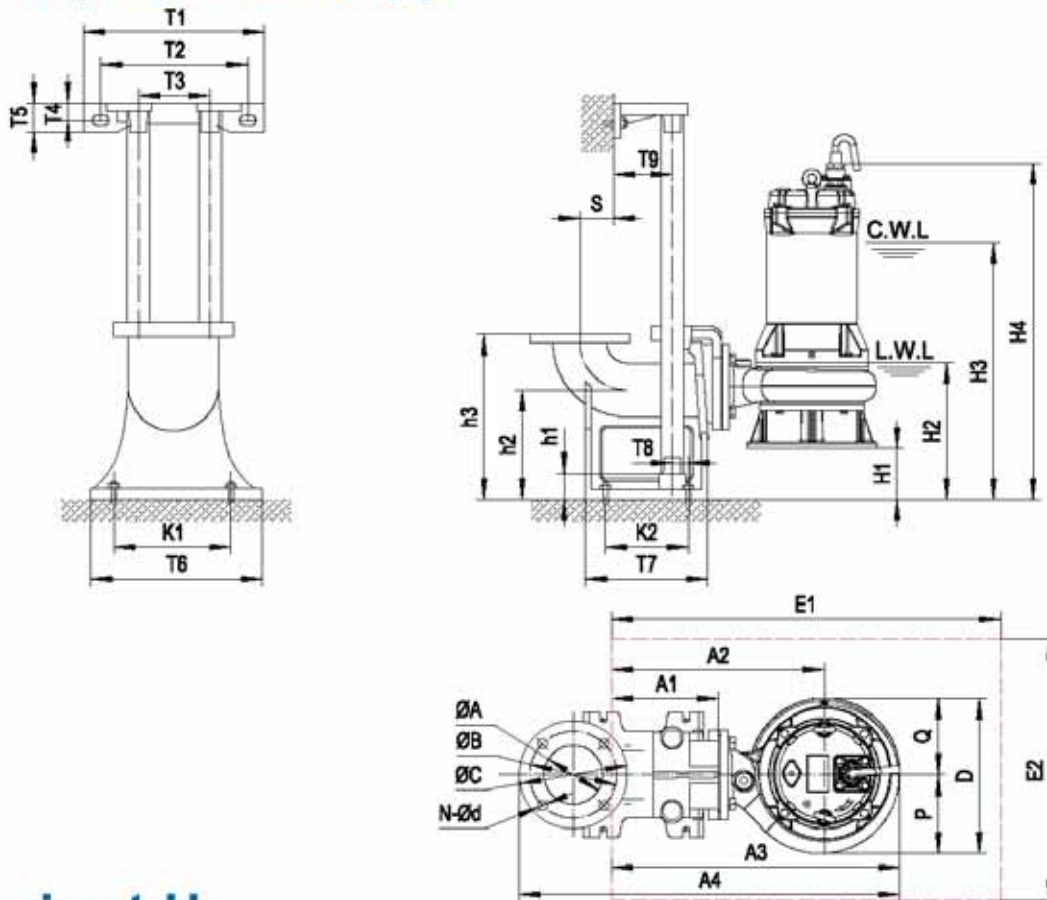
Weights & Packing dimensions

Model	R			Y		
	N.W kg	G.W kg	Packing dimension mm	N.W kg	G.W kg	Packing dimension mm
50Z21.5	38	44	660x270x325	40	46	660x270x335
65Z21.5	40	46	660x270x325	44	50	660x270x335
50Z22.2	40	46	690x270x325	42	48	690x270x335
65Z22.2	42	48	690x270x325	46	52	690x270x335
80Z22.2	45	51	690x270x325	49	55	690x270x345
50Z23.0	47	53	720x270x325	49	55	720x270x335
65Z23.0	49	55	720x270x325	53	59	720x270x335

Model	R			Y		
	N.W kg	G.W kg	Packing dimension mm	N.W kg	G.W kg	Packing dimension mm
80Z23.0	52	58	720x270x325	56	62	720x270x345
65Z24.0	58	65	760x290x355	62	69	760x290x365
80Z24.0	61	68	760x290x355	65	72	760x290x375
80Z25.5	82	90	765x355x445	86	94	765x355x465
100Z25.5	84	92	765x355x445	90	98	765x355x475
80Z27.5	87	95	765x355x445	91	99	765x355x465
100Z27.5	89	97	765x355x445	95	103	765x355x475

Dimension

Auto-Coupled Installation (Z)



Dimensions table

Auto coupling	ØA	ØB	ØC	N-Ød	T1	T2	T3	T4	T5	T6	T7	T8	T9	K1	K2	S	h1	h2	h3	h4
50-50(PN6)	Ø50 / G2"	110	140	4-Ø14	285	215	105	25	42	200	215	15	67	165	135	63	25	160	250	280
65-65(PN6)	Ø65 / G2½"	130	160	4-Ø14	280	230	125	30	50	230	235	20	70	190	155	90	25	165	265	295
80-80(PN6)	Ø80 / G3"	150	190	4-Ø18	315	265	145	27	50	255	225	30	78	215	155	77	25	190	305	335
100-100(PN6)	Ø100 / G4"	170	210	4-Ø18	365	305	170	32	55	295	260	35	95	265	175	100	25	230	350	380

Dimensions table

Model	Auto coupling	H1	H2	H3	H4	A1	A2	A3	A4	P	Q	D	E1×E2	Pump weight & packing dimension		
														N.W	G.W	Packing dimension
50Z21.5	50-50(PN6)	40	192	420	591	155	317	428	561	116	111	227	650×550	36	42	660x270x325
65Z21.5	65-65(PN6)	45	197	425	596	155	317	428	599	116	111	227	650×550	38	44	660x270x325
50Z22.2	50-50(PN6)	40	192	440	611	155	317	428	561	116	111	227	650×550	38	44	690x270x325
65Z22.2	65-65(PN6)	45	197	445	616	155	317	428	599	116	111	227	650×550	39	45	690x270x325
80Z22.2	80-80(PN6)	64	226	474	645	176	338	452	624	122	111	233	650×550	40	46	690x270x325
50Z23.0	50-50(PN6)	40	192	455	639	155	317	428	561	116	111	227	650×550	45	51	720x270x325
65Z23.0	65-65(PN6)	45	197	460	644	155	317	428	599	116	111	227	650×550	46	52	720x270x325
80Z23.0	80-80(PN6)	64	226	489	672	176	338	452	624	122	111	233	650×550	47	53	720x270x325
65Z24.0	65-65(PN6)	33	202	480	675	155	336	458	629	131	122	253	650×550	55	62	760x290x355
80Z24.0	80-80(PN6)	58	227	505	701	176	358	480	651	131	122	253	700×550	56	63	760x290x355
80Z25.5	80-80(PN6)	45	235	526	703	176	388	538	710	159	150	309	750×550	77	85	765x355x445
100Z25.5	100-10(PN6)	85	275	566	743	200	412	562	768	159	150	309	750×550	78	86	765x355x445
80Z27.5	80-80(PN6)	45	235	526	703	176	388	538	710	159	150	309	750×550	82	90	765x355x445
100Z27.5	100-10(PN6)	85	275	566	743	200	412	562	768	159	150	309	750×550	83	91	765x355x445

Your Local Distributor Details :

Empty rounded rectangular box for distributor details.



Euroflo Pumps International Pte Ltd

No.1 Joo Koon Way Singapore 628942 Tel: +65 6861 3836 Fax: +65 6861 3936

73559/200300