

EUROFLOTM
where innovation flows



Chemical Process Pumps

EISCseries



www.euroflopumps.com

Coding System

e.g. **EISC 150/125-315 MJ1 KK V 0**

XXXX XXX/XXX-XXX XXX XX X X

Series _____

EISC = Chemical Process Pump
Horizontal Single Stage centrifugal Pump

Inlet Size _____

Outlet Size _____

Impeller dia. and performance _____

Shaft Seal _____

P11 = Packing-uncooled stuffing box with Plan 11 flushing
PT1 = Packing- uncooled stuffing box with plan 11 and jacketed back cover
M11= Mechanical seal with Plan 11
MT1 = Mechanical seal with Plan 11 and Jacketed back cover
MZZ = Mechanical Seal with API seal

Impeller/body casing material _____

BC = Bronze impeller and Cast Iron Body
CC = Cast Iron impeller and Body
SC = SS304 impeller and Cast Iron Body
KC = SS316 impeller and Cast Iron Body
WW= Fully cast steel (GS-C25 or A216-WCB)
KK = SS316 impeller and Body
SS = SS304 impeller and Body
QQ = Special material on request

Casing Gasket _____

B O-Rings in Buna Temp. 105 °C
V O-Rings in FPM (Viton) Temp. 170 °C
E O-Rings in EPDM Temp. 140 °C
T Flat Gasket in PTFE Temp. 220 °C
G Flat Gasket in Graphite Temp. 350 °C

Flange Rating _____

0 Flanges to DIN PN 16
1 Flanges to DIN PN 25
2 Flanges drilled to ANSI 150#
3 Flanges drilled to ANSI 300#
4 Flanges drilled to JIS 16K

Introduction

EISC pumps are Horizontal End Suction, single stage volute casing and designed to ISO 2858/5199. Its 'back pull out' design allows for maintenances without removing the piping and pumps alignments. Pumps can be fitted with single or double mechanical seal with seal support system according to API or ANSI seal plan. Cooling or heating jacket are available upon request.

Design: ISO 2858/5199

Flange: PN 16 (standard); ANSI B16.5B (optional)
PN25 or #300 RF

Material: Cast Iron, cast steel, ductile iron, stainless steel

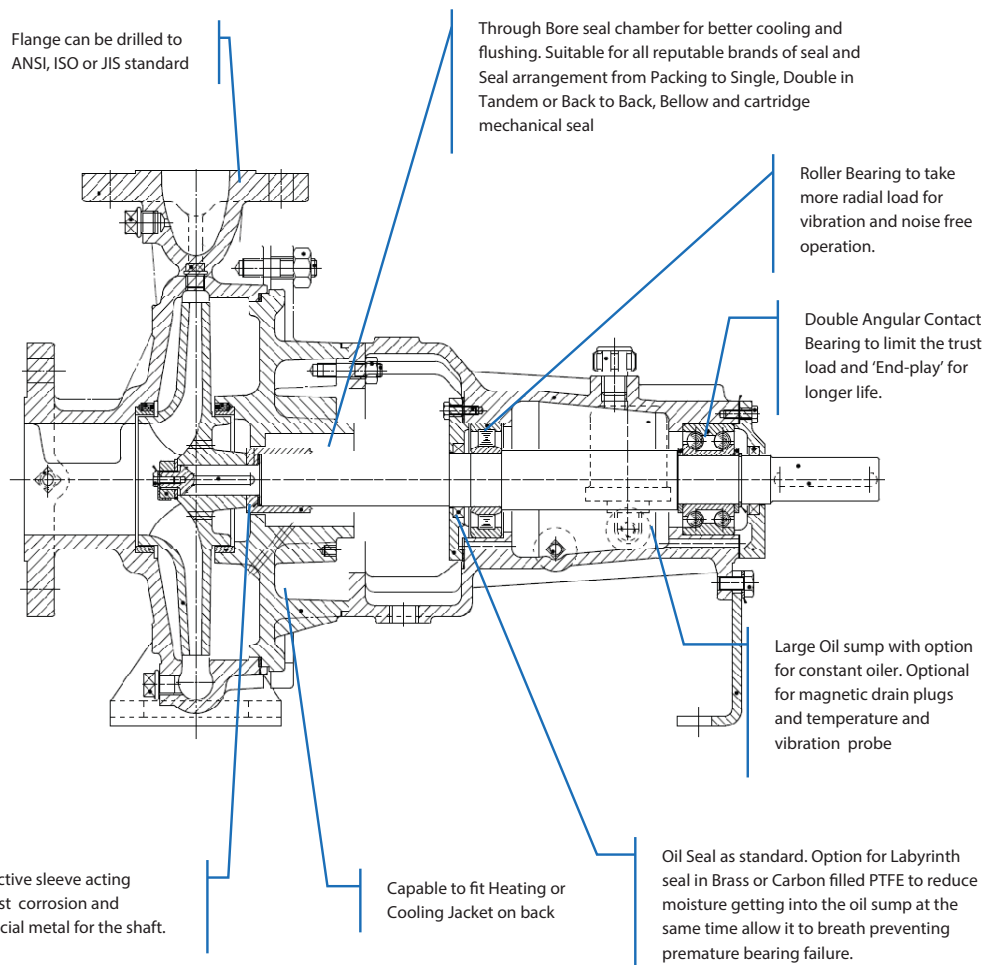
Mounting: Horizontal closed impeller

Operating range:

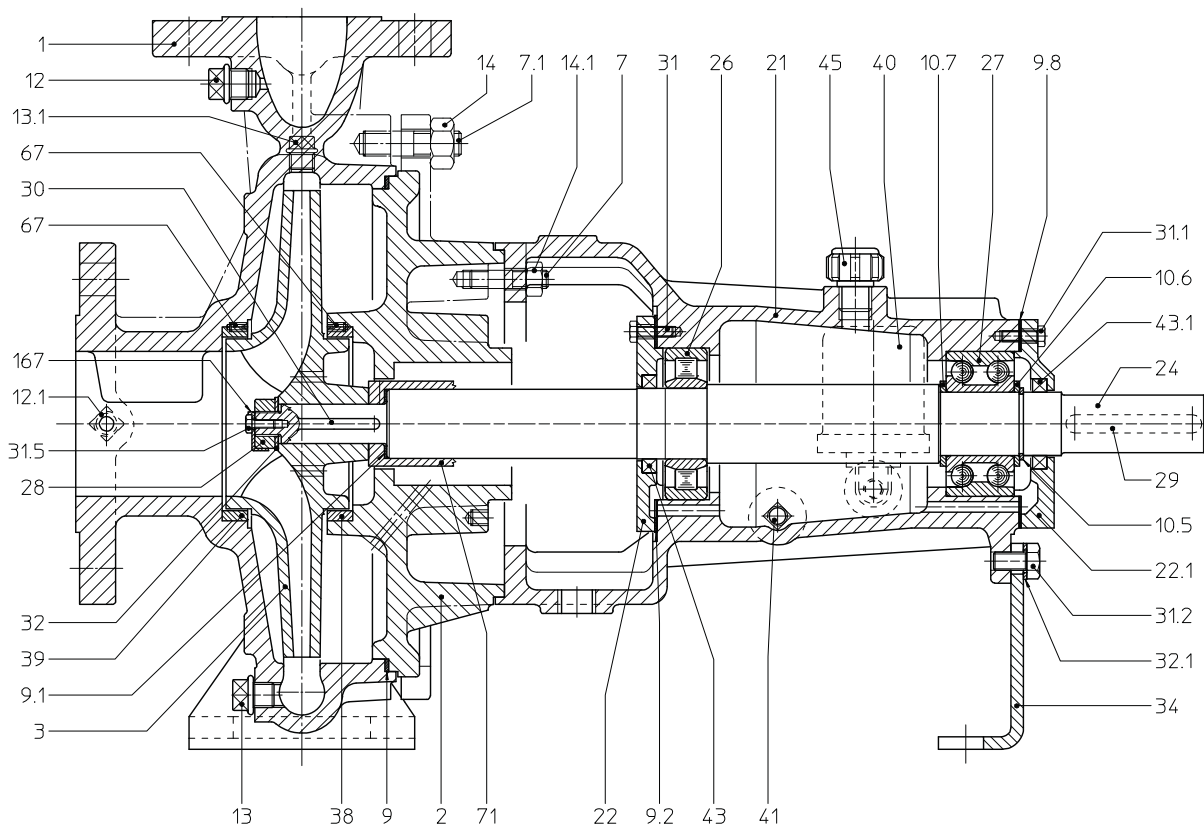
DN 25 - 250
Q 3 to 1200m³/hr
O.P. up to 16bar
H 25 - 150m
Ns up to 3,600rpm
t -45°C to 350°C

Application:

- Petrochemical & Chemical Industry
- Pulp & Paper Industry
- Fertilizer Industry
- Food Processing
- Metal & Steel Industry
- Waste Water Treatment



Sectional Drawing / Part List

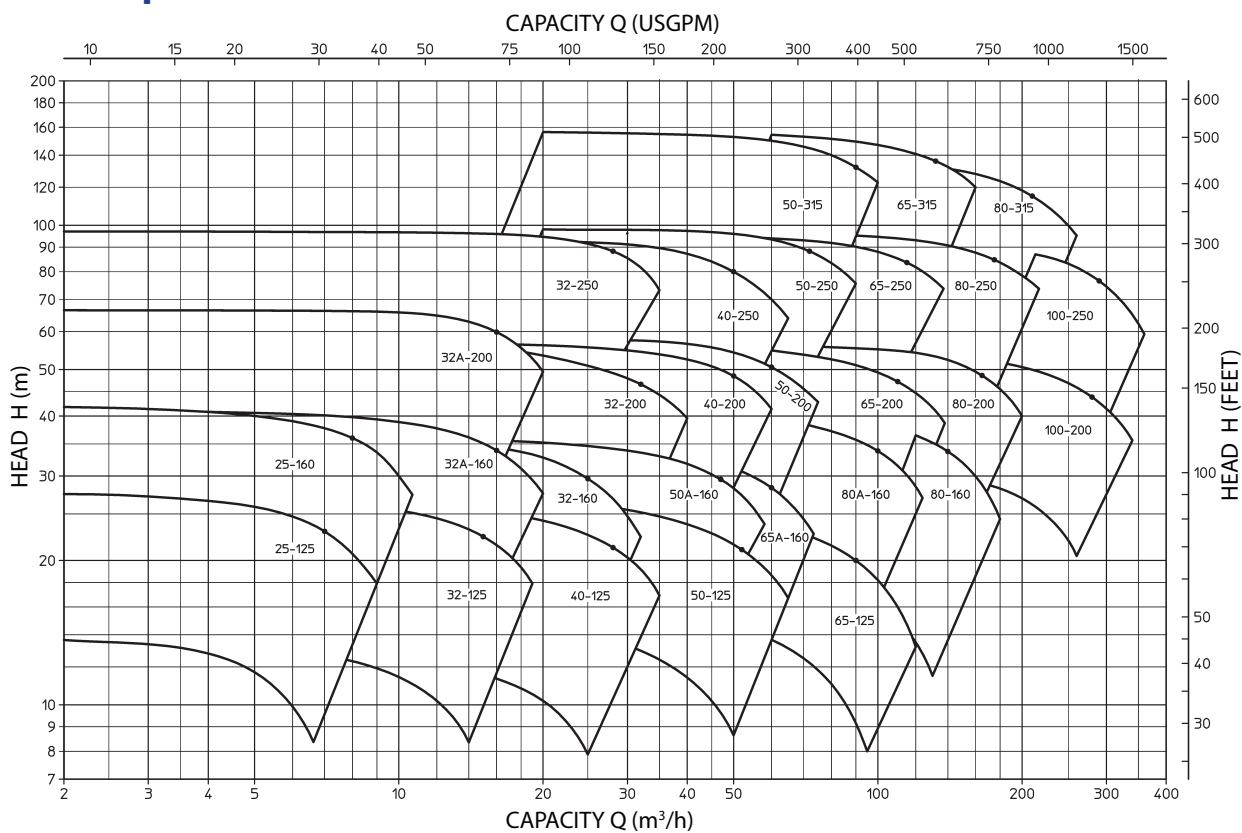


POS	Description
1	Pump Casing
2	Cover
3	Impeller
7	Casing Stud
7.1	Cover Stud
9	Casing Flat Gasket
9.1	Sleeve Gasket
9.2	Bearing Cover Gasket (Pump Side)
9.8	Bearing Cover Gasket (Coupling Side)
10.5	Circlip
10.6	Washer
12	Gauge Plug
13	Drain Plug
13.1	Vent Plug
14	Nut
14.1	Nut
21	Bearing Housing
22	Bearing Cover(Coupling Side)
22.1	Bearing Cover(Pump Side)
24	Shaft

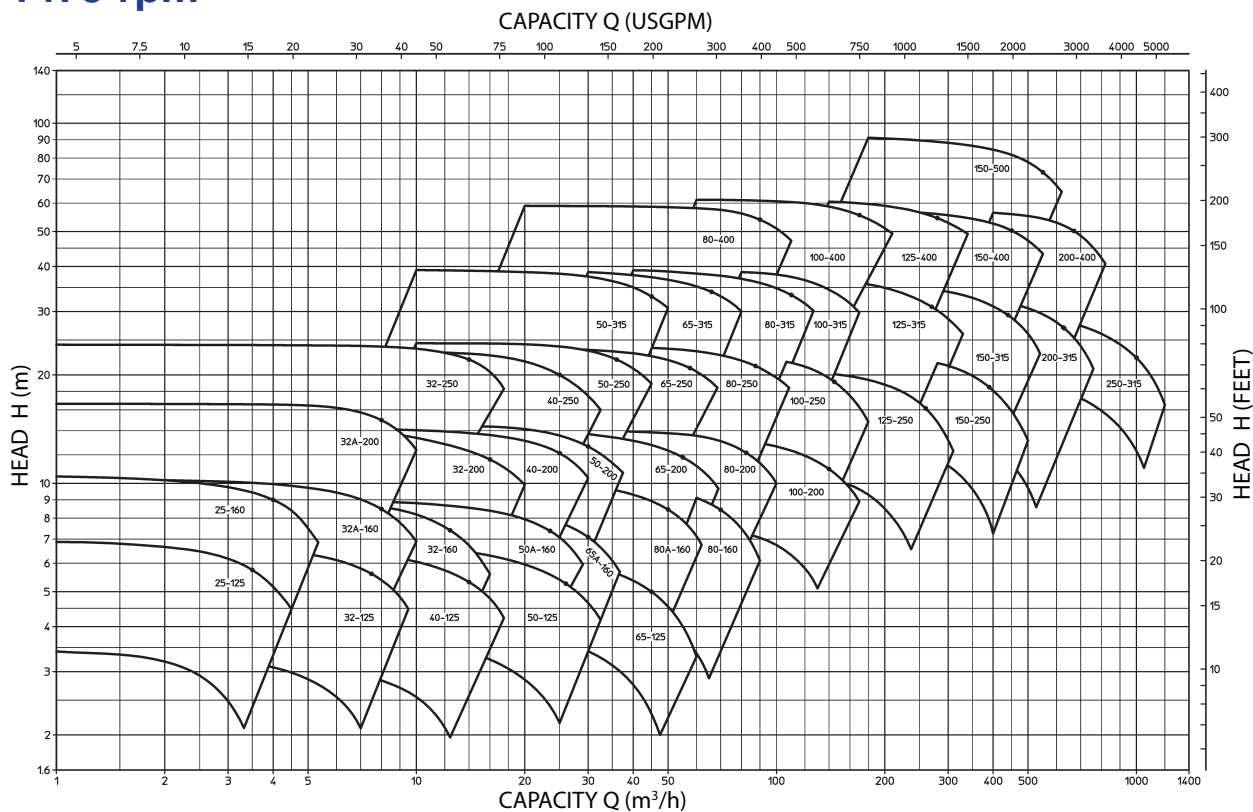
POS	Description
26	Bearing (Pump Side)
27	Bearing (Coupling Side)
28	Impeller Nut
29	Couling Key
30	Impeller Key
31	Bearing Cover Screw (Pump Side)
31.1	Bearing Cover Screw (Coupling Side)
31.2	Support Foot Screw
31.5	Exagonal Cap Screw
32	Impeller Washer
32.1	Washer
34	Support Foot
35	Mechanical Seal
41	Drain oil Plug
43	Bearing cover seal (Pump Side)
43.1	Bearing Cover seal (Coupling side)
44	Oil Level light
45	Oil Vent Plug
71	Shaft Sleeve
167	Safety Plate

Performance Chart - 50Hz

2950 rpm

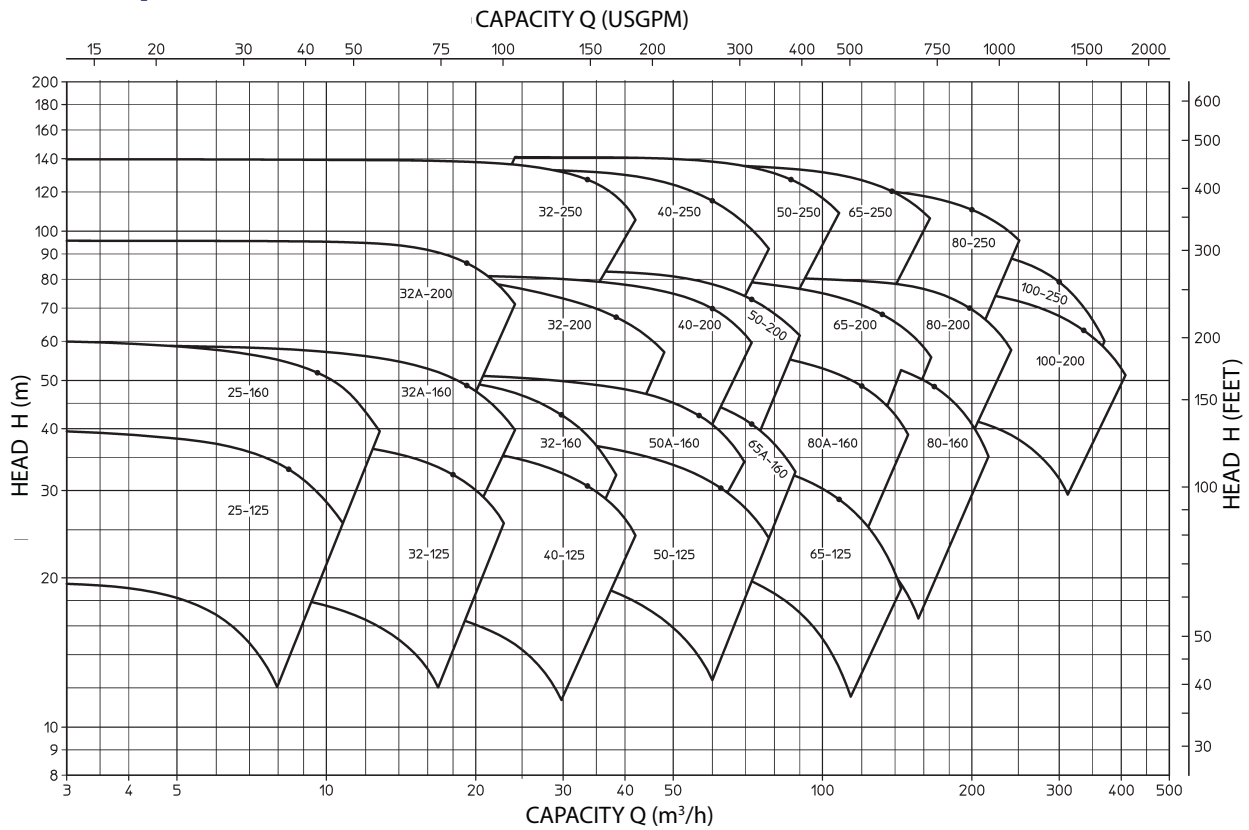


1475 rpm

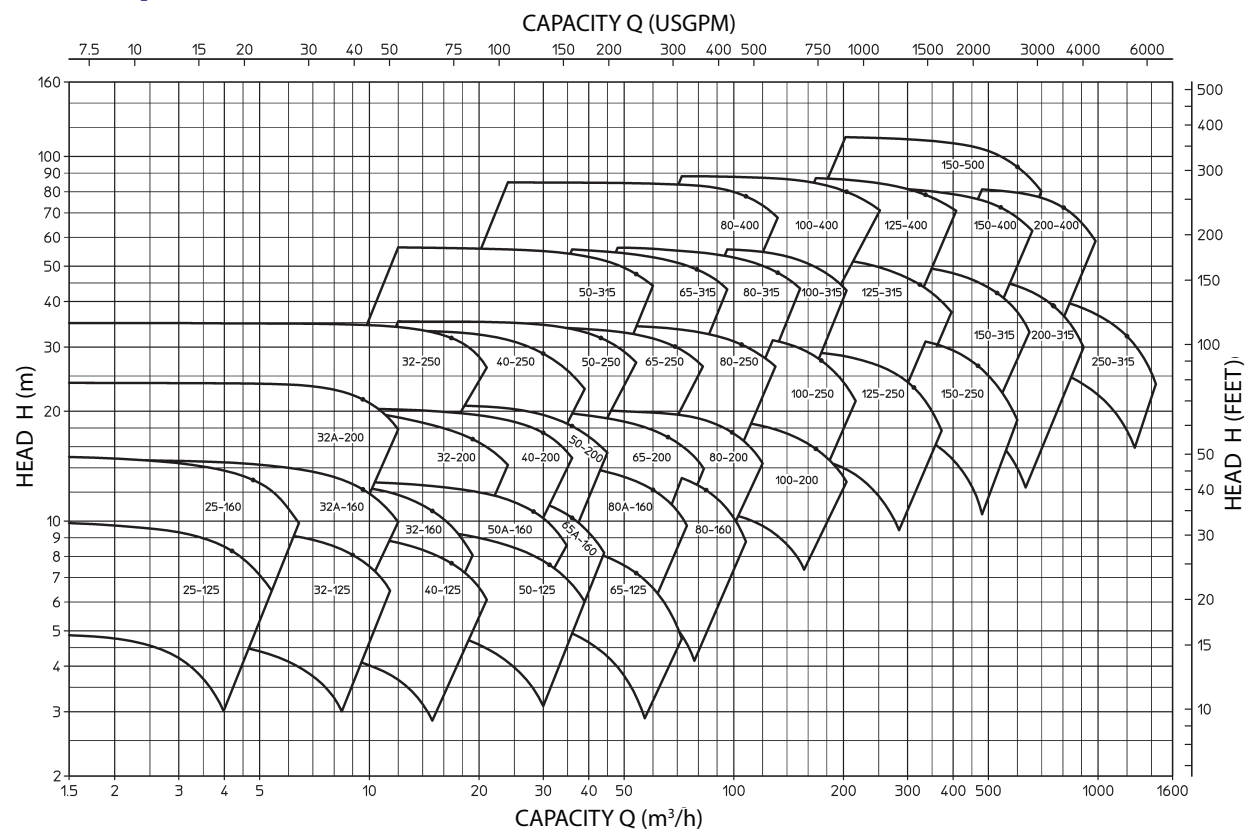


Performance Chart - 60Hz

3540 rpm



1750 rpm





Euroflo Pumps International Pte Ltd

No.1 Joo Koon Way Singapore 628942 Tel: +65 6861 3836 Fax: +65 6861 3936

15/12/EISC/01/SC_v1