

**EUROFLO**<sup>TM</sup>  
*where innovation flows*

**EK series**

*Semi-open Impeller  
Stainless-steel Pumps*



The Euroflo EK series are non-self-priming centrifugal pumps with semi-open impeller. The pump wetted parts are of stainless steel (SUS 304 or SUS 316) construction and are particularly suitable for transfer of liquid with suspended solid size up to 14mm (spherical). The closed coupled / Back Pull Out design saved space and ensures flexibility of installation without moving the pump body from the piping system.

## Applications

- Food Industries
- Pharmaceutical
- Brewery & Beverage processing
- Part washing
- Industrial Washing Machines
- Bottle Washing

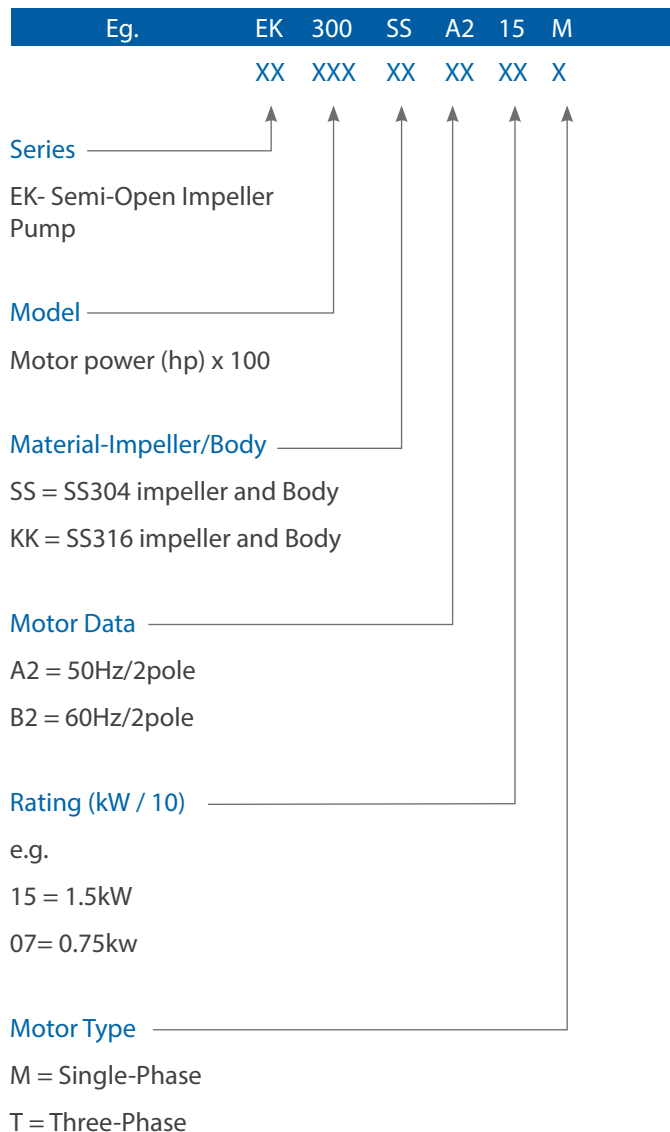
## Specifications

- Max working pressure : 8 bar
- Max solid diameter : 14mm
- Liquid Temperature : -15°C ~ + 80°C
- Suction & Discharge : 'G' pipe thread or external hose bard connection

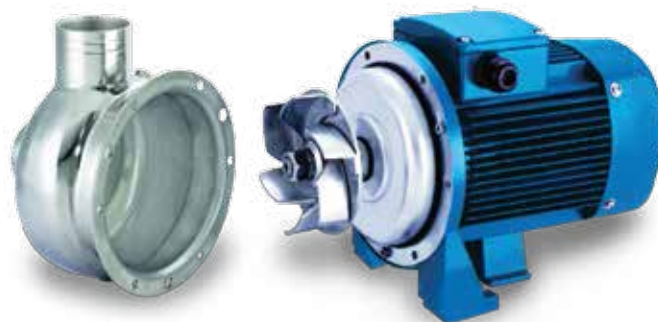
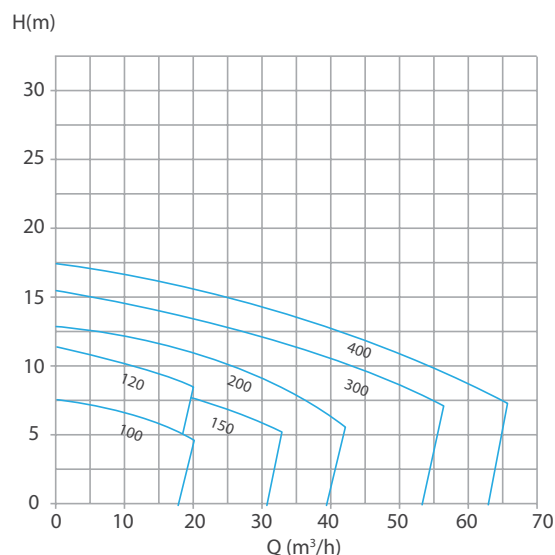
## Motor ( Aluminium-alloy )

- Continuous Duty
- Insulation Class : F
- Protection class : IP55
- Ambient temperature range : -15°C ~ +40°C
- Overload protection for single phase

## Coding System



## EK series - Pump Curves



**Operating performance data**

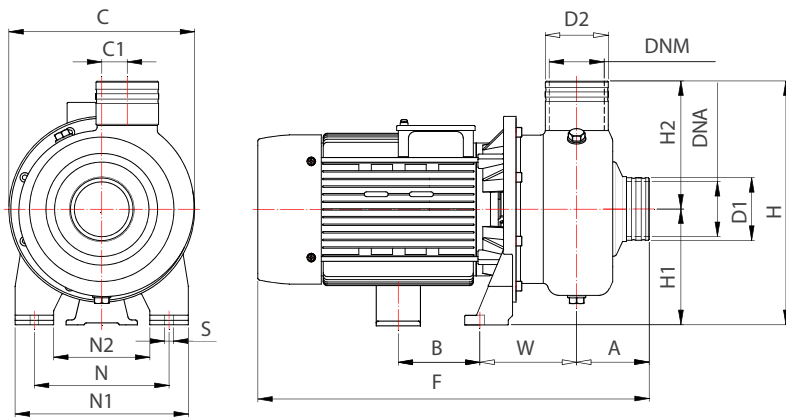
Model		Power		Capacity									
Single phase 220V 50HZ	Three phase 380V 50HZ	kW	HP	m3/h	6	12	18	24	42	48	57	66	
				l/min	100	200	300	400	700	800	950	1100	
EK100M	EK100T	0.75	1.0	7	6	5							
EK120M	EK120T	0.9	1.2	11	10	9							
EK150M	EK150T	1.1	1.5	9.5	8.8	7.8	6.7						
EK200M	EK200T	1.5	2.0	12.7	12	11.2	10	6.5					
EK300M	EK300T	2.2	3.0	15	14	13.5	12.7	9.8	8.9	7.5			
	EK400T	3.0	4.0	17.5	16.8	16	15.2	12.5	11.5	9.7	7.5		

**Parts list**

No.	Description	No.	Description
1	Motor	9	Spring washer
2	Key	10	Impeller Nut
3	"V" Slinger	11	O ring
4	Back Cover	12	"L" Washer
5	O ring	13	Priming/Drain Bolt
6	Mechanical	14	Casing
7	Mech. Seal Carrier	15	Screw
8	Impeller		



### EK series diagram and installation dimension table



Model	A	C	C1	F	H	H1	H2	N	N1	N2	S	W	B	D1	DNA	D2	DNM	Weight (kg)
EK100	74.5	170	20	358	226	108	118	120	160	80	9	84	90	Ø52	G1"1/2	Ø52	G1"1/2	10.5
EK120	74.5	170	20	358	226	108	118	120	160	80	9	84	90	Ø52	G1"1/2	Ø52	G1"1/2	11
EK150	82	193	20	400	253	120	133	140	180	100	9	100	74	Ø63	G2"	Ø63	G2"	15
EK200	82	193	20	400	253	120	133	140	180	100	9	100	74	Ø63	G2"	Ø63	G2"	16
EK300	82	193	20	432	253	120	133	140	180	100	9	100	90	Ø80	G2"1/2	Ø63	G2"	22
EK400	82	193	20	432	253	120	133	140	180	100	9	100	90	Ø80	G2"1/2	Ø63	G2"	24

Your local distributor details: