



EUROFLOTM
where innovation flows



Fire Pumps

Horizontal Split Casing Centrifugal pumps
Horizontal End Suction Centrifugal pumps

According UL Listed
UL448-2013

According NFPA20 Standard
Installation of Stationary Pumps
for Fire Protection

ESF/EHF series



www.euroflopumps.com

ESF series

Description & Features

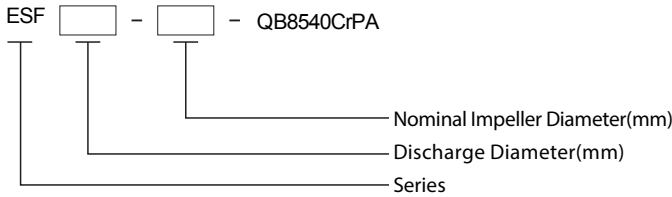
ESF Series are horizontal split casing centrifugal pumps designed in accordance with all requirements of UL standard for safety (UL 448). ESF Series pumps operate in high flow rate, high efficiency, stable operation, low noise and long service life, easy to install and maintain.

Coding System

Eg. **ESF 100-250 - QB8540CrPA**



Model Instruction



For instance, discharge diameter 150mm, nominal Impeller Diameter 360mm, its name ESF 150-360.



Material Code

- Q :Ductile Iron Casing
- C250 :Cast Iron Casing
- B85 :Bronze Impeller
- 40Cr :40CR Shaft
- P : Gland Packing
- A :ANSI Flange

Material Code

Performance is meeting with UL448-2013 regulation.

Flange standard

ASME B16.42-1998 CLASS300 ; ASME B16.42-1998 CLASS250

Operating Data

Suction Diameter	150~200mm
Discharge Diameter	100~150mm
Flowrate(Q)	450~2000 usgpm
Head(H)	82~304 psi
Speed	2900rpm
Working Pressure	230~400psi

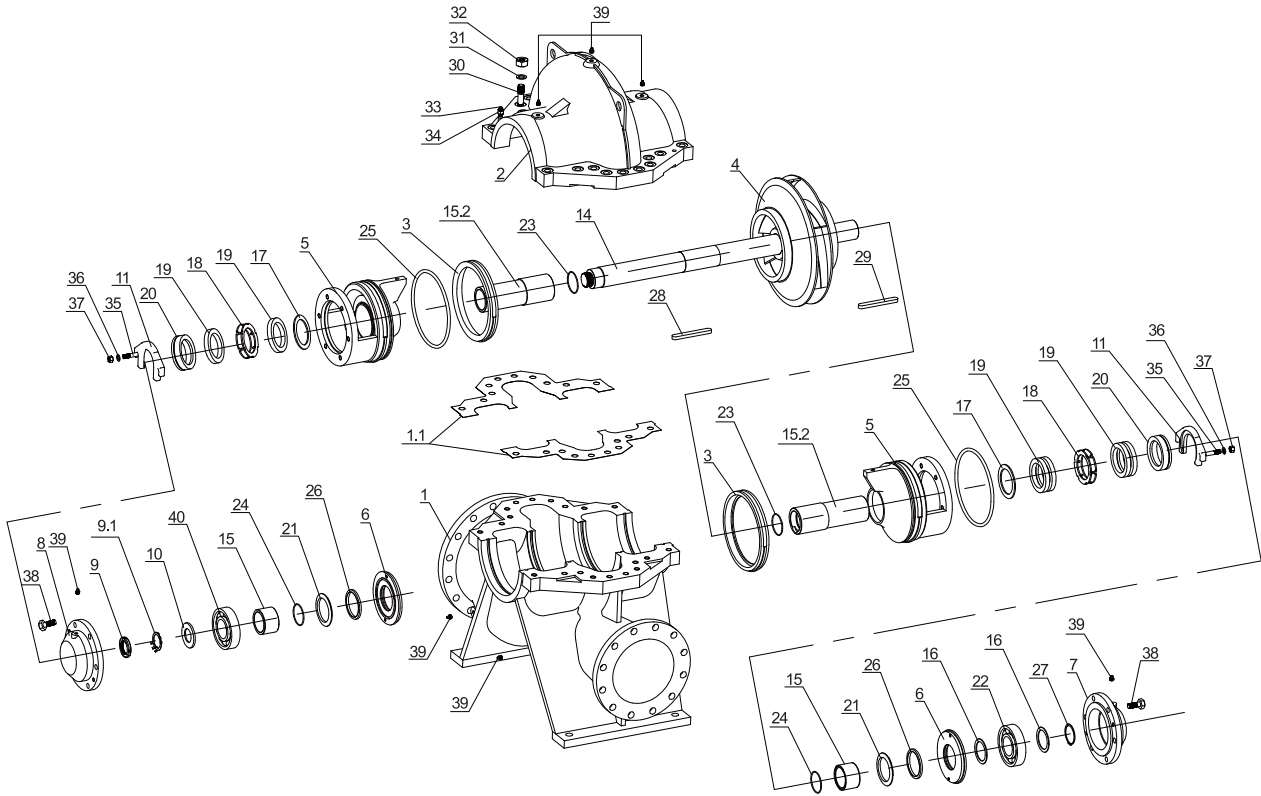
Rated Capacity (GPM)	Size (In.)	Model	Rated Net Pressure Range (psi)	Approx. Speed (RPM)	Max. Working Pressure (psi)
450	6x4	ESF100-250	80-141	2900	232
450	6x4	ESF100-310	131-204	2900	290
450	6x4	ESF100-375	221-304	2900	400
500	6x4	ESF100-250	80-140	2900	232
500	6x4	ESF100-310	130-204	2900	290
500	6x4	ESF100-375	219-300	2900	400
750	6x4	ESF100-250	73-139	2900	232
750	6x4	ESF100-310	125-198	2900	290
750	6x4	ESF100-375	199-280	2900	400
1000	8x5	ESF125-290	101-177	2900	232
1000	8x5	ESF125-365	178-288	2900	348
1250	8x5	ESF125-290	97-175	2900	232
1250	8x5	ESF125-365	165-278	2900	348
1500	8x6	ESF150-290	98-155	2900	232
1500	8x6	ESF150-360	150-242	2900	320
2000	8x6	ESF150-290	94-149	2900	232
2000	8x6	ESF150-360	138-234	2900	320

Application :

Fire protection and fire fighting

ESF series

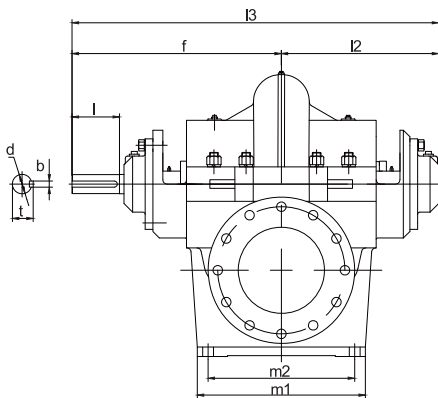
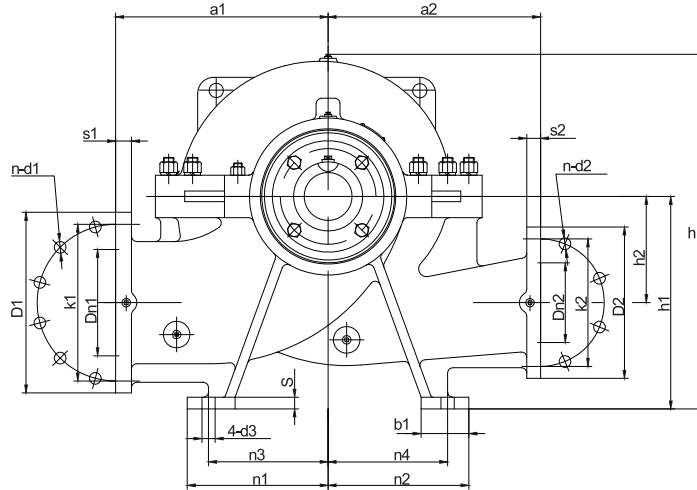
ESF Series Explode View & List of Parts



Code	Part Name	Code	Part Name	Code	Part Name
01	Casing-Bottom	15	Shaft Sleeve-Short	28	Key
01.1	Casing Gasket	15.2	Packing Shaft Sleeve	29	Key
02	Casing-Top	16	Bearing Seal Plate	30	Screw Bolt
03	Wear Ring	17	Packing Seal Plate	31	Spring Washer
04	Impeller	18	Lantern Ring	32	Screw Nut
05	Seal Housing	19	Gland	33	Pin
06	Bearing Cover	20	Packing Cover	34	Screw Nut
07	Bearing Housing-Driver End	21	Slinger	35	Screw Bolt
08	Bearing Housing-Non-Driver End	22	Bearing	36	Flat Gasket
09	Screw Nut	23	O-ring	37	Screw Nut
09.1	Lock Washer for Nut	24	O-ring	38	Screw Bolt
10	Bearing Slinger	25	O-ring	39	Plug
11	Seal Plate	26	Felting	40	Bearing
14	Shaft	27	External Circlips		

ESF series

ESF Installing Dimensions



ASME16.42-1998 CLASS300RF ; ASME16.10-1998 CLASS250RF					
DN	80	100	125	150	200
D	209.6	254	279.4	317.5	381
K	168.1	200.2	235	269.7	330.2
n	8	8	8	12	12
d	22.4	22.4	22.4	22.4	25.4

Model	DN1	DN2	a1	a2	f	l2	l3	h	h1	h2	m1	m2	n1	n2	n3	n4	b1	d3	s	d	b	l	t	Weight (kg)
ESF100-250	150	100	342	339	385	320	705	300	355	170	320	270	235	235	200	200	80	25	22	φ34	10	80	37.3	230
685								605																283
620								75																42.3
ESF100-375	200	125	382	380	485	390	875	365	400	200	390	340	265	265	225	225	90	25	22	φ44	12	110	47.3	322
850								665																342
635								660																355
670								210																355
ESF125-290	150	150	412	412	485	390	875	390	400	210	390	340	265	265	225	225	90	25	22	φ49	14	110	52.8	385
850								665																342
635								670																355

EHF series

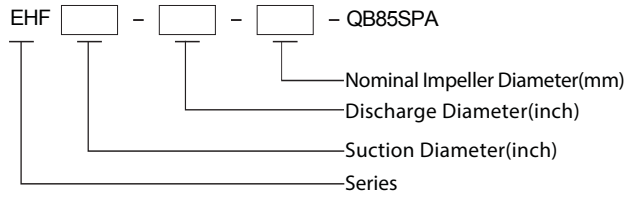
Description & Features

EHF Series are designed in accordance with all requirement of UL standard for safety (UL 448). EHF Series pump are optimized hydraulic pump design, brought high efficiency and the performance of energy conservation.

Coding System

Eg. **EHF 2515250 - QB85SPA**

Model Instruction



For instance, Suction diameter 2.5inch, discharge diameter 1.5inch, nominal Impeller Diameter 250mm, its name EHF2515250

Material Code

- Q :Ductile Iron Casing
- B85 :Bronze Impeller
- S :ASTM 420 Shaft
- P : Gland Packing
- A :ANSI Flange

Material Code

Pump installing dimension is conforming to ISO 2858 standard.
Performance is meeting with UL448-2013 regulation.

Flange standard

ASME B16.42-1998 CLASS150 (EHF2515250, EHF32250, EHF425250, EHF53250)

ASME B16.42-1998 CLASS300 (EHF53315, EHF54315)

Operating Data

Suction Diameter	2.5~ 5 inch
Discharge Diameter	1.5~4inch
Flowrate(Q)	50~750 usgpm
Head(H)	84~230 psi
Speed	2900rpm
Working Pressure	200~290 psi

Application :

Fire protection and fire fighting

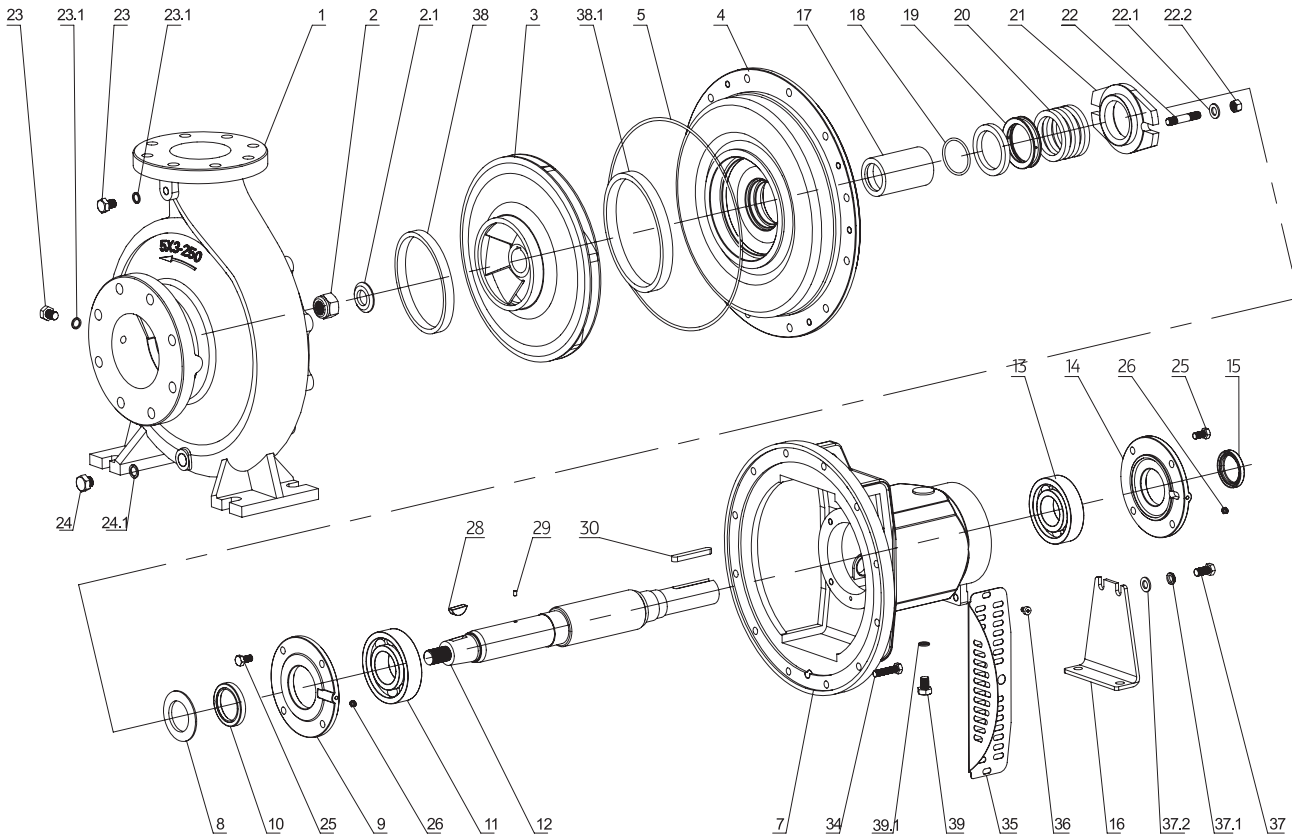


UL Listed EHF Pump Models

Rated Capacity (GPM)	Size (In.)	Model	Rated Net Pressure Range (psi)	Approx. Speed (RPM)	Max. Working Pressure (psi)
50	2.5x1.5	EHF2515250	94-136	2900	200
100	2.5x1.5	EHF2515250	89-131	2900	200
150	2.5x1.5	EHF2515250	78-121	2900	200
150	3x2	EHF32250	94-136	2900	225
200	3x2	EHF32250	91-132	2900	225
250	3x2	EHF32250	85-128	2900	225
250	4x2.5	EHF425250	85-139	2900	225
300	4x2.5	EHF425250	82-137	2900	225
400	4x2.5	EHF425250	76-131	2900	225
400	5x3	EHF53250	85-136	2900	225
400	5x3	EHF53315	131-214	2900	290
450	5x3	EHF53250	83-135	2900	225
450	5x3	EHF53315	130-213	2900	290
450	5x4	EHF54315	135-214	2900	290
500	5x3	EHF53250	82-132	2900	225
500	5x3	EHF53315	126-212	2900	290
500	5x4	EHF54315	134-212	2900	290
750	5x4	EHF54315	128-208	2900	290

EHF series

EHF Series Explode View & List of Parts



Code	Part Name
1	Casing
2	Impeller Nut
2.1	Lock washer for impeller
3	Impeller
4	Gland Cover
5	O-ring
7	Bearing Housing
8	Rubber Slinger
9	NDE Bearing Cover
10	NDE Oil Seal
11	NDE Bearing
12	Shaft
13	DE Bearing
14	DE Bearing Cover
15	DE Oil Seal

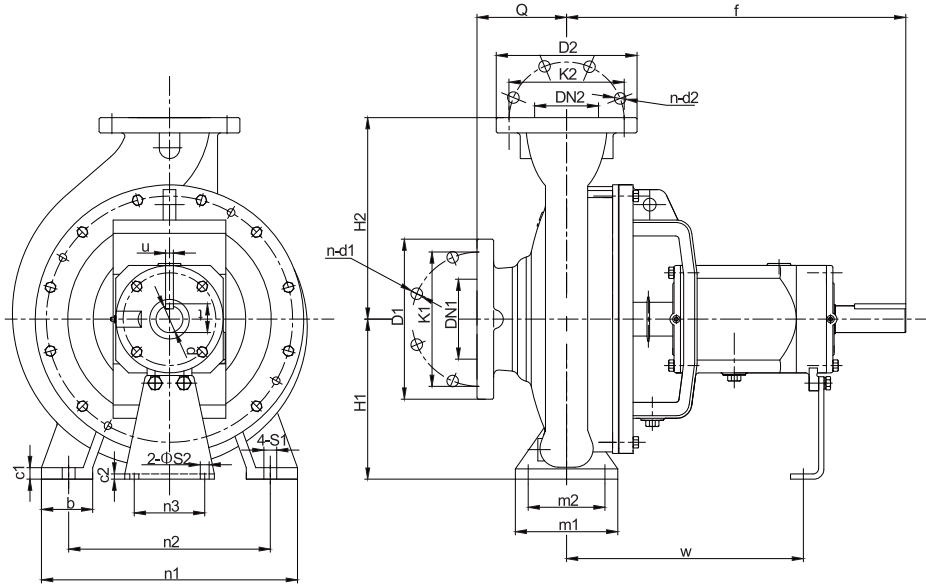
Code	Part Name
16	Support Foot
17	Packing Sleeve
18	O-ring
19	Gland Packing
20	Packing Seal Cage
21	Gland Cover
22	Stud Bolt
22.1	Flat Washer
22.2	Screw Nut
23	Plug
23.1	Plug Spacer
24	Plug
24.1	Plug Spacer
25	Screw Bolt

Code	Part Name
26	Oil Cup M6
28	key
29	pin
30	key
34	Screw Bolt
35	Protective cover
36	Bolt
37	Screw Bolt
37.1	Elastic Washer
37.2	Flat Washer
38	Front-Wearing
38.1	Back-Wearing
39	Plug
39.1	Plug Spacer

NOTE: EHF53315 & EHF54315 Lacking of parts No. 14, 15 & 26.

EHF series

EHF Installing Dimensions



Model	DN1		DN2		Impeller Dia.	Shaft No.	a	f	h1	h2	b	m1	m2	n1	n2	n3	c1	c2	w	S1	S2	d	t	u	l	Weight (kg)
	inch	mm	inch	mm																						
EHF2515250	2.5"	65	1.5"	40	250	2	100	500	180	225	65	125	95	320	250	110	14	6	370	M12	M12	32	35	10	80	71
EHF322250	3"	80	2"	50	250	2	125	500	180	225	65	125	95	320	250	110	15	6	370	M12	M12	32	35	10	80	76
EHF425250	4"	100	2.5"	65	250	2	125	500	200	250	80	160	120	360	280	110	16	6	370	M16	M12	32	35	10	80	84
EHF53250	5"	125	3"	80	250	2	125	500	225	280	80	160	120	400	315	110	18	6	370	M16	M12	32	35	10	80	88
EHF53315	5"	125	3"	80	315	3	125	530	250	315	80	160	120	400	315	110	20	8	370	M16	M12	42	45	12	110	130
EHF54315	5"	125	4"	100	315	3	140	530	250	315	80	160	120	400	315	110	19	8	370	M16	M12	42	45	12	110	138

Flange standard : ASME16.42-1998 CLASS150RF					Flange standard : ASME16.42-1998 CLASS300RF				
DN1/DN2	1.5"	2"	2.5"	3"	4"	5"	3"	4"	5"
D1/D2	127	152.4	177.8	190.5	228.6	254	209.6	254	279.4
K1/K2	98.6	120.7	139.7	152.4	190.5	215.9	168.1	200.2	234.9
n-d1/ n-d2	4-φ15.7	4-φ19.1	4-φ19.1	4-φ19.1	8-φ19.1	8-φ22.4	8-φ22.4	8-φ22.4	8-φ22.4

Your local distributor details:



Euroflo Pumps International Pte Ltd

No.1 Joo Koon Way Singapore 628942 Tel: +65 6861 3836 Fax: +65 6861 3936

15201/1903Rev05
15101/1903Rev05