

EUROFLOTM
where innovation flows



ISO 2858 End Suction
Centrifugal Pumps

EISO *series*



www.euroflopumps.com

Coding System

E.g.

EISO	100	-	65	-	250	MBC
XXXX	XXX	-	XXX	-	XXX	XXX

Series

EISO = ISO 2858 Centrifugal Pumps

Suction Size

Discharge Size

Impeller Nominal Size

Seal Type

M = Carbon - Ceramic/Viton M1 = Carbon - SiC/Viton (Optional)

*P = Gland Packing M2 = Carbon - SiC/EPDM

Impeller / Body Casing Material

- BC = Bronze impeller and Cast Iron Body
- BD = Bronze impeller and Ductile Iron Body
- BB = Bronze impeller and Body
- CC = Cast Iron impeller and Body
- CD = Cast Iron impeller and Ductile Iron Body
- KK = SS316 impeller and Body
- KC = SS316 impeller and Cast Iron Body
- SS = SS304 impeller and Body
- SC = SS304 impeller and Cast Iron Body

Introduction

Description:

Volute casing centrifugal end suction pump with Back Pull-Out (BPO) feature. Main dimensions and hydraulic according to ISO 2858 standards.

- Flange : Std PN 16, PN 25 (Optional)
- Materials : SS304, SS316
- Mounting : Direct Coupled with Electric Motor or Engine
- Direction of Rotation : Clockwise as viewed from the drive side Material
- Casing : Cast Iron , Ductilen Iron
- Impeller : Cast Iron, Bronze, Stainless Steel
- Shaft : Carbon Steel, Stainless Steel
- Shaft Seal : Mech Seal Standard; Packing (Optional)

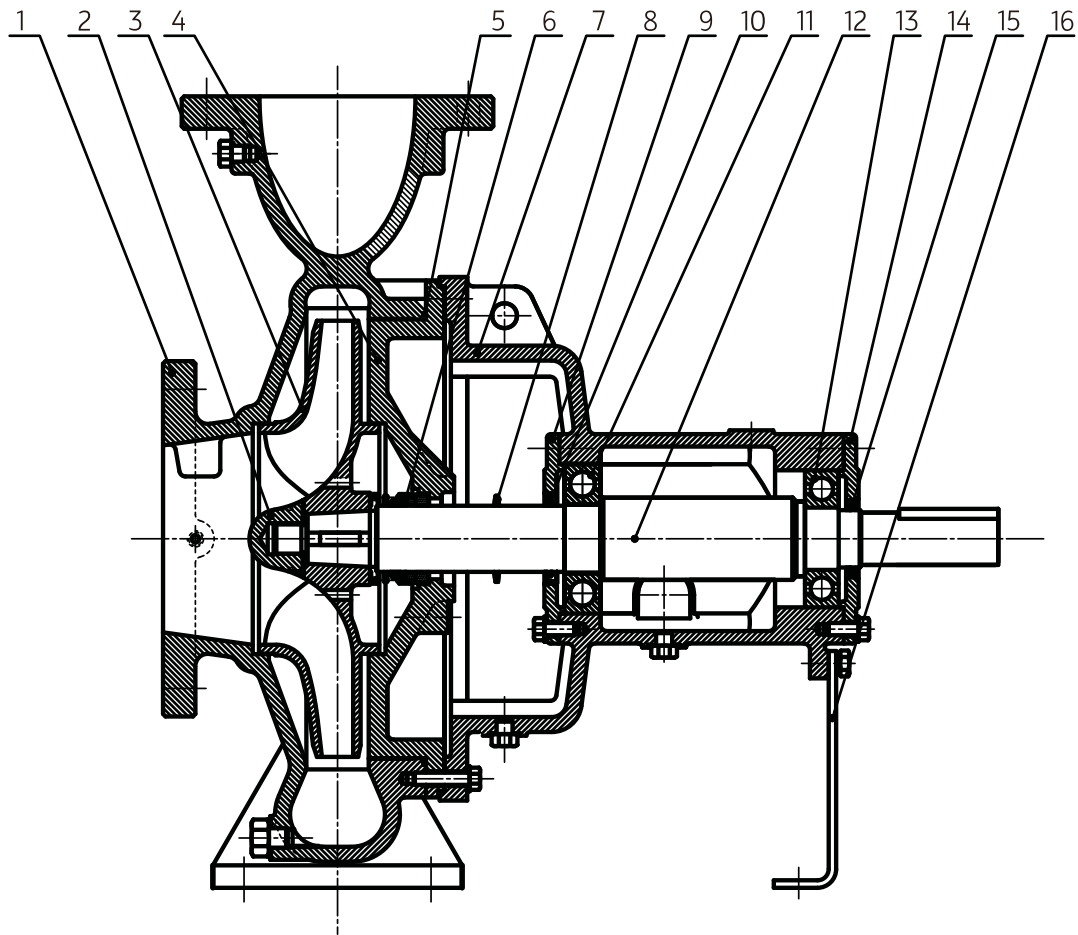
Operating Range :

- Flow Rate(Q) : up to 1200m3/h
- Head(H) : up to 160m
- Speed : 2900 rpm (50Hz)
- Operating Temp. : -15 °C to 80 °C (Standard Material)
80 °C to 140 °C (on Request)
- Working Pressure (Mpa) : 1.6 ~ 2.4

Applications:

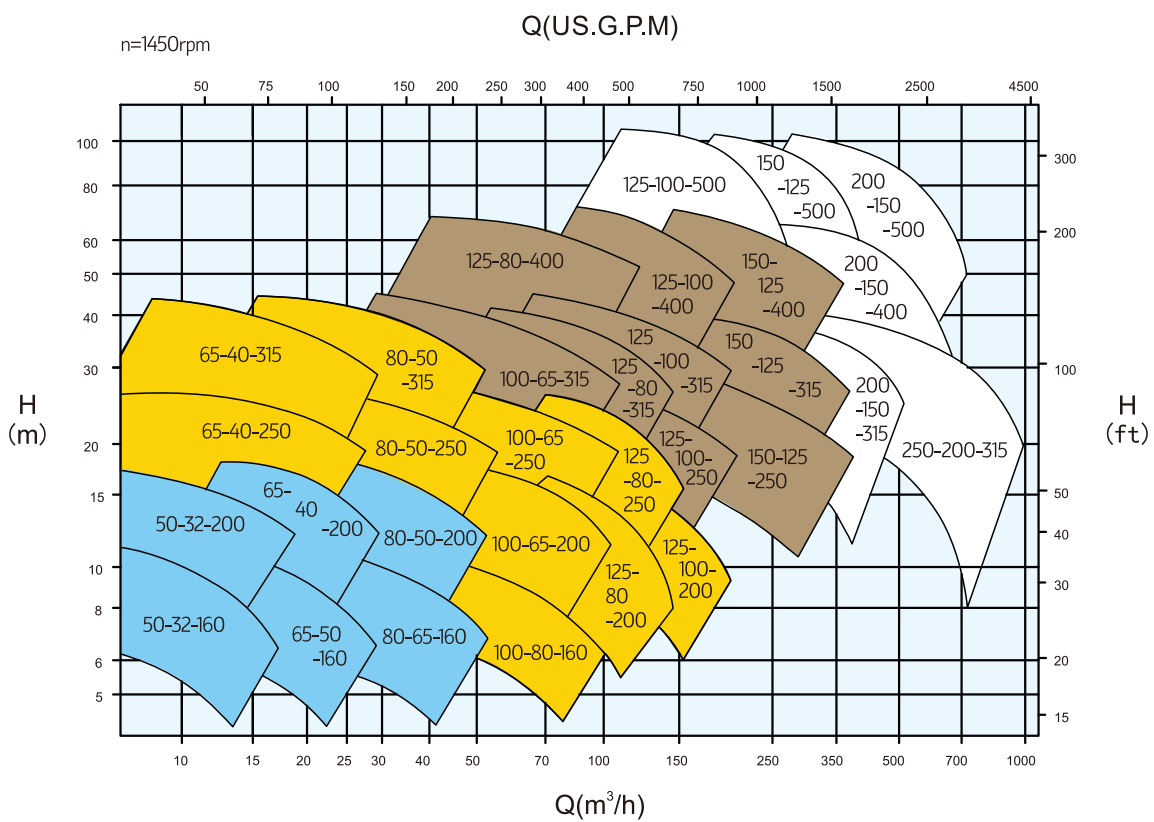
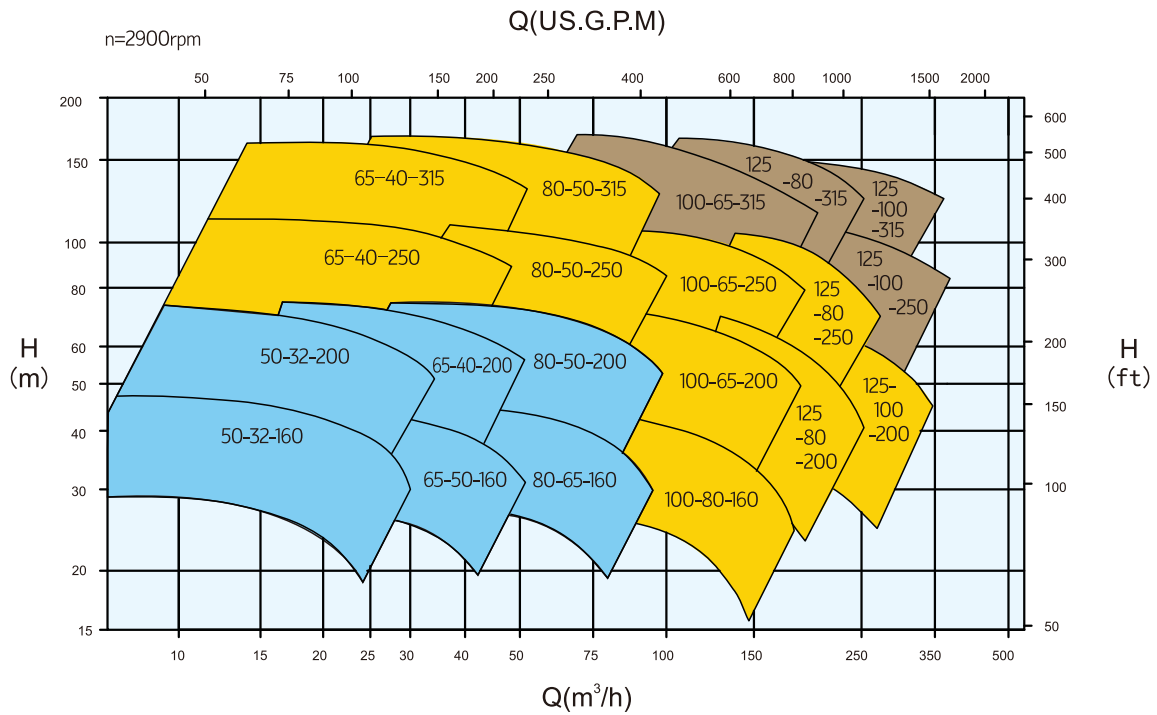
- Water Treatment & Supply
- Sea Water Transfer
- Fire Fighting & Protection
- Bilging & Ballasting
- Pressure Boosting
- Air Conditioning
- Cooling Towers
- Refrigeration
- Plumbing
- Circulating
- Transfer
- Irrigation & Drainage

EISO - Sectional drawings

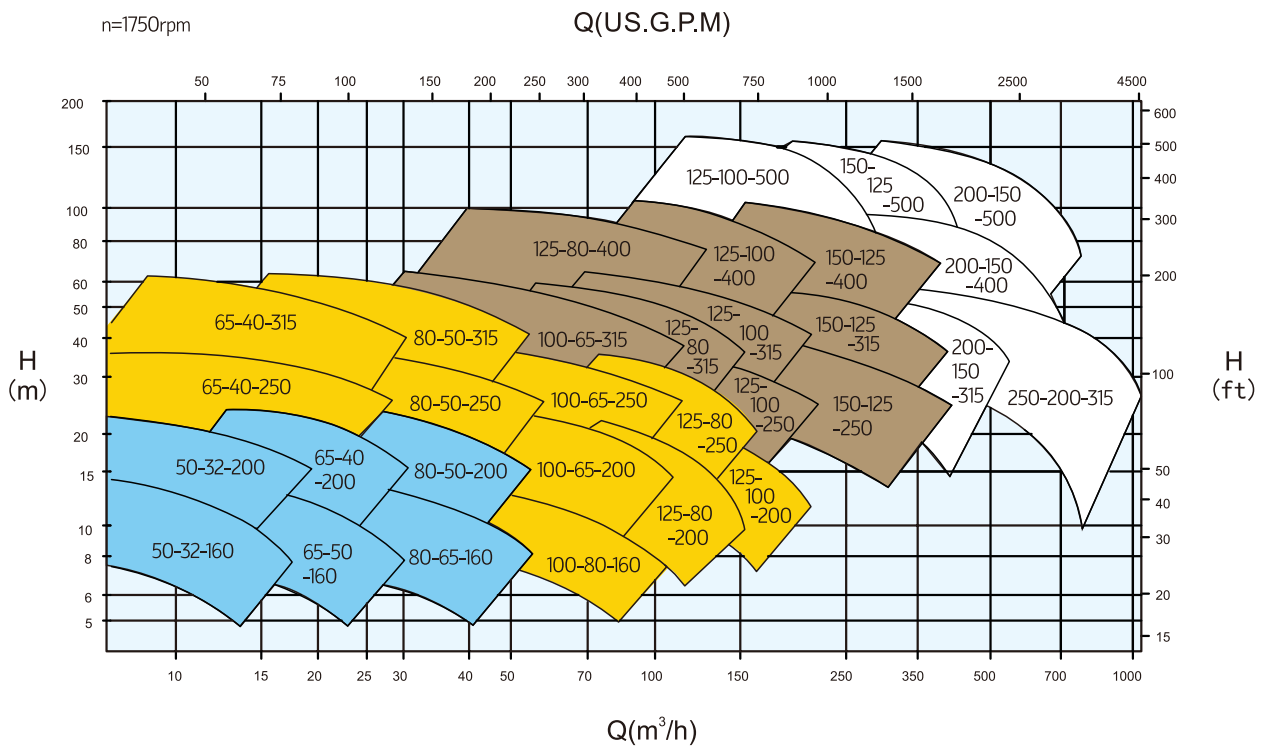
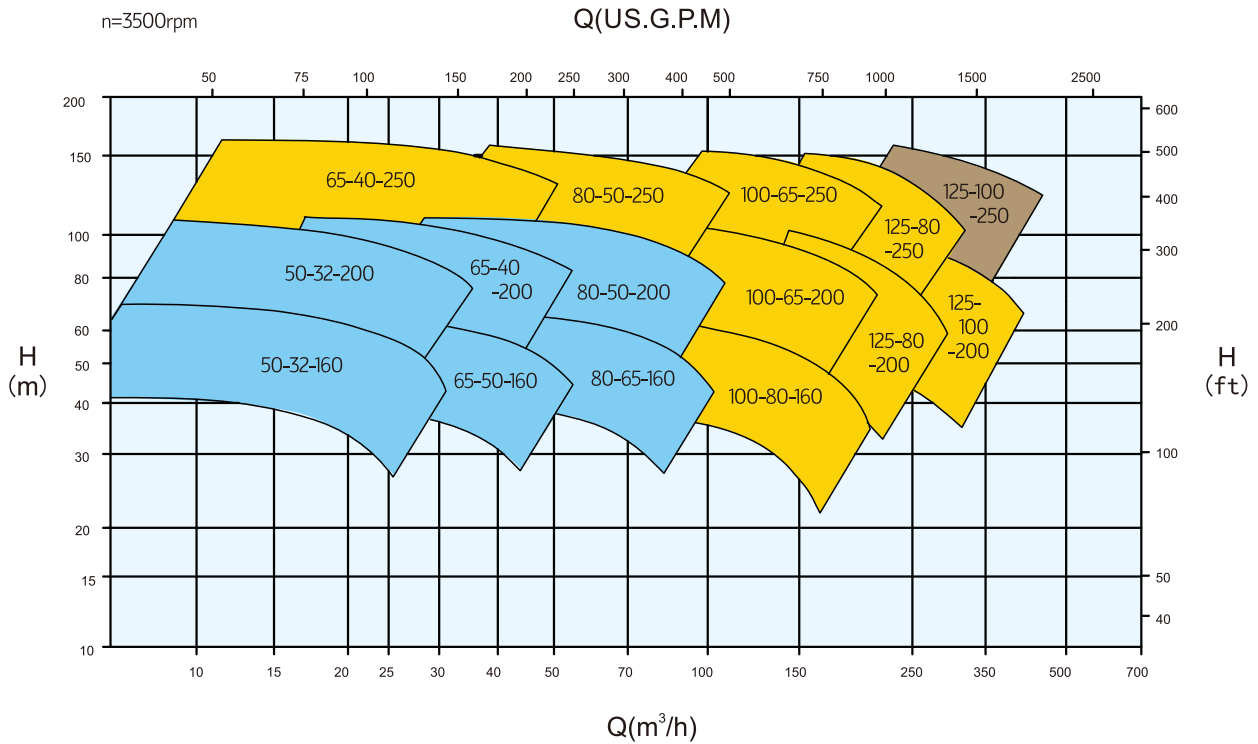


No.	Part Name
1	Casing
2	Impeller Nut
3	Impeller
4	Casing Cover
5	O-ring
6	Mechanical Seal
7	Bearing Housing
8	Slinger
9	Bearing Cover (Impeller end)
10	Oil Seal (Impeller end)
11	Bearing (Impeller end)
12	Shaft
13	Bearing (Driving end)
14	Bearing Cover (Driving end)
15	Oil Seal (Driving end)
16	Support Foot

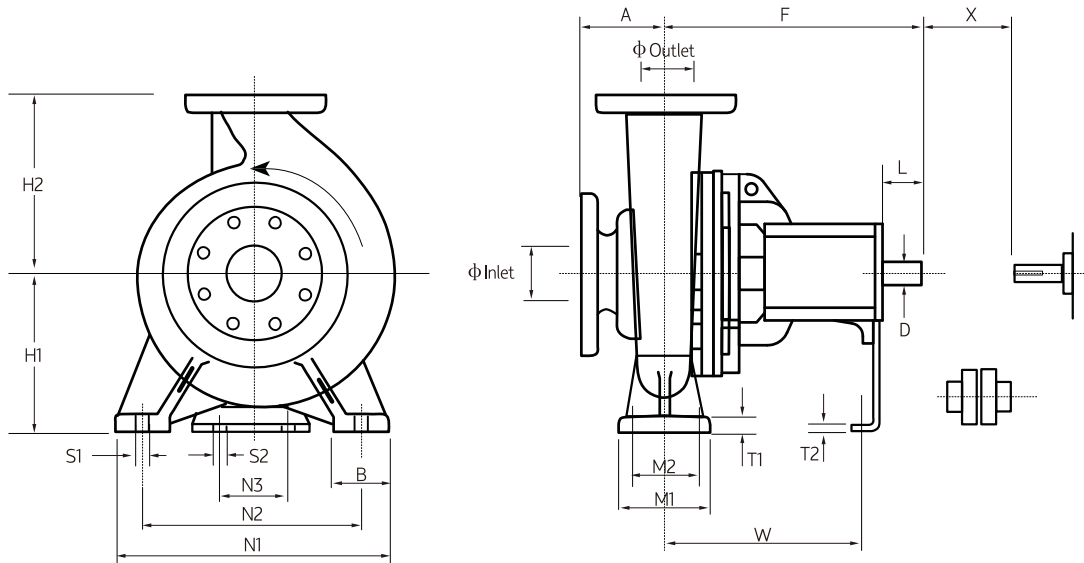
Performance Chart - 50Hz



Performance Chart - 60Hz



EISO - Installation Dimension



Model			Shaft No.	Pump Dimensions				Mounting Dimensions										Bolt Holes		Shaft End		GAP*	Weight kg
Inlet	Outlet	Imp Dia		A	F	H1	H2	B	M1	M2	N1	N2	N3	T1	T2	W	S1	S2	D	L	X		
50	32	160	1	80	385	132	160	50	100	70	240	190	110	12	6	285	M12	M12	24	50	4	43	
50	32	200	1	80	385	160	180	50	100	70	240	190	110	13	6	285	M12	M12	24	50	4	49	
65	50	160	1	80	385	132	160	50	100	70	240	190	110	12	6	285	M12	M12	24	50	4	44	
65	40	200	1	100	385	160	180	50	100	70	265	212	110	13	6	285	M12	M12	24	50	4	51	
65	40	250	2	100	500	180	225	65	125	95	320	250	110	14	6	370	M12	M12	32	80	4	71	
65	40	315	2	125	500	200	250	65	125	95	345	280	110	16	6	370	M12	M12	32	80	4	90	
80	65	160	1	100	385	160	180	50	100	70	265	212	110	13	6	285	M12	M12	24	50	4	49	
80	50	200	1	100	385	160	200	50	100	70	265	212	110	13	6	285	M12	M12	24	50	4	53	
80	50	250	2	125	500	180	225	65	125	95	320	250	110	15	6	370	M12	M12	32	80	4	76	
80	50	315	2	125	500	225	280	65	125	95	345	280	110	18	6	370	M12	M12	32	80	4	94	
100	80	160	2	100	500	160	200	65	125	95	280	212	110	14	6	370	M12	M12	32	80	4	68	
100	65	200	2	100	500	180	225	65	125	95	320	250	110	15	6	370	M12	M12	32	80	6	72	
100	65	250	2	125	500	200	250	80	160	120	360	280	110	16	6	370	M16	M12	32	80	6	84	
100	65	315	3	125	530	225	280	80	160	120	400	315	110	18	8	370	M16	M12	42	110	6	122	
125	80	200	2	125	500	180	250	65	125	95	345	280	110	16	6	370	M12	M12	32	80	6	81	
125	80	250	2	125	500	225	280	80	160	120	400	315	110	18	6	370	M16	M12	32	80	6	88	
125	80	315	3	125	530	250	315	80	160	120	400	315	110	20	8	370	M16	M12	42	110	6	130	
125	80	400	3	125	530	280	355	80	160	120	435	355	110	20	8	370	M16	M12	42	110	6	163	
125	100	200	2	125	500	200	280	80	160	120	360	280	110	17	6	370	M16	M12	32	80	6	87	
125	100	250	3	140	530	225	280	80	160	120	400	315	110	18	8	370	M16	M12	42	110	6	122	
125	100	315	3	140	530	250	315	80	160	120	400	315	110	19	8	370	M16	M12	42	110	6	138	
125	100	400	3	140	530	280	355	100	200	150	500	400	110	20	8	370	M20	M12	42	110	6	175	
125	100	500	4	160	670	355	450	100	210	150	540	450	140	25	10	500	M20	M16	48	110	6	378	
150	125	250	3	140	530	250	355	80	160	120	400	315	110	19	8	370	M16	M12	42	110	6	135	
150	125	315	3	140	530	280	355	100	200	150	500	400	110	20	8	370	M20	M12	42	110	6	156	
150	125	400	3	140	530	315	400	100	200	150	500	400	110	21	8	370	M20	M12	42	110	6	193	
150	125	500	4	160	670	355	450	100	210	150	540	450	140	25	10	500	M20	M16	48	110	6	402	
200	150	315	4	160	670	315	400	100	210	150	540	450	140	20	10	500	M20	M16	48	110	8	274	
200	150	400	4	160	670	315	450	100	210	150	540	450	140	25	10	500	M20	M16	48	110	8	339	
200	150	500	4	160	670	400	500	100	210	150	540	450	140	25	10	500	M20	M16	48	110	8	426	
250	200	315	4	180	670	315	450	100	210	150	540	450	140	25	10	500	M20	M16	48	110	8	314	



Euroflo Pumps International Pte Ltd

No.1 Joo Koon Way Singapore 628942 Tel: +65 6861 3836 Fax: +65 6861 3936

90101/1905Rev02